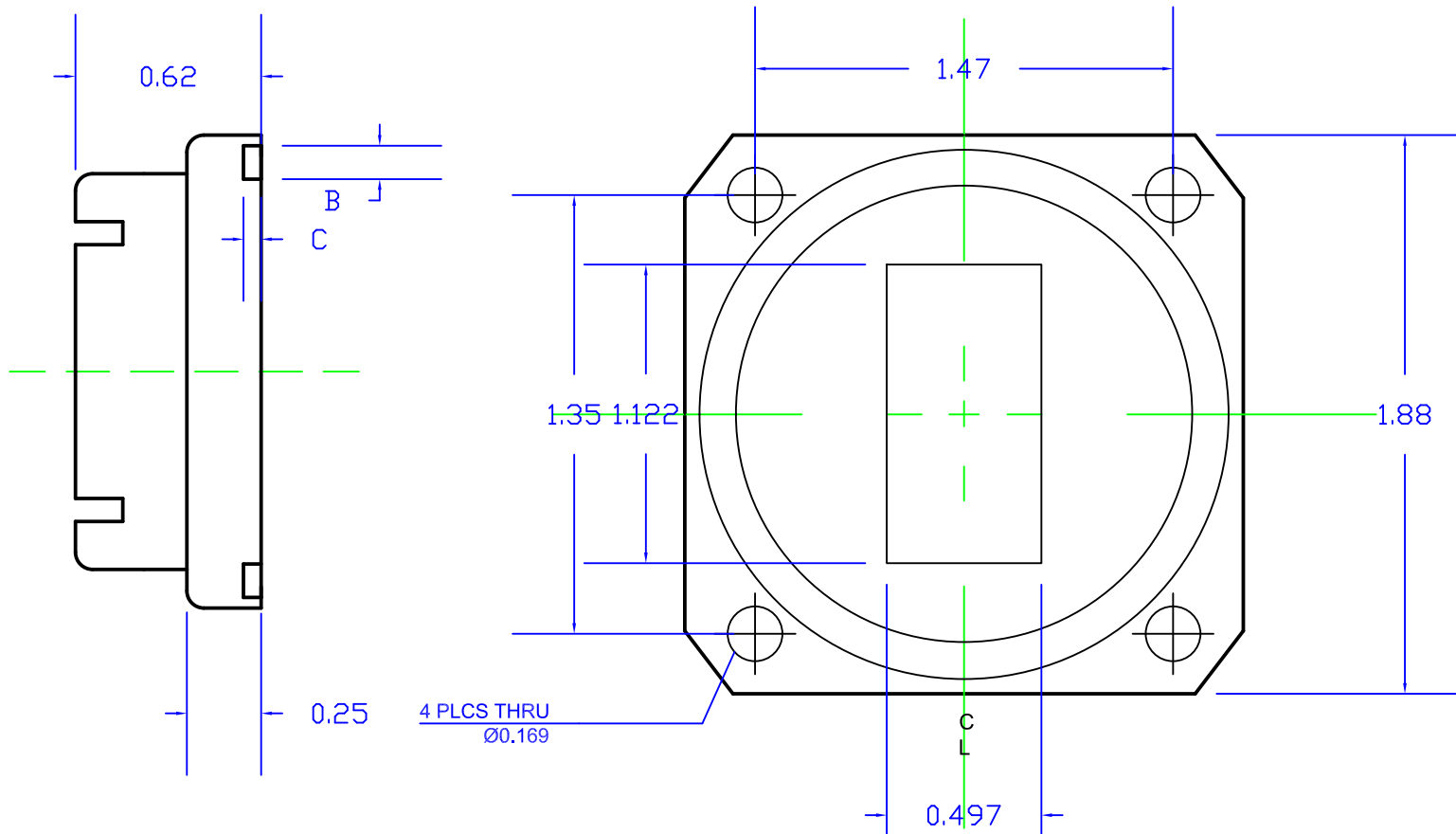


WR112 FLANGE STANDARD:UG_COVER/GROOVE

1.0	ELECTRICAL SPECIFICATIONS	
1.1	Frequency Range	6.59-9.99GHz
1.2	Waveguid Type	Rectangular WR112/WG15
1.3	Flang	UG_COVER/GROOVE



PAGE	OF	DATE
PROPRIETARY INFORMATION THE INFORMATION CONTAINED IN THIS DOCUMENT IS THE PROPERTY OF RF-LAMBDA EXCEPT AS SPECIFICALLY AUTHORIZED IN WRITINGS BY RF-LAMBDA. THE HOLDER OF THIS DOCUMENT SHALL KEEP ALL INFORMATION CONTAINED HEREIN CONFIDENTIAL AND SHALL PROTECT SAME IN THE WHOLE OR IN PART FROM DISCLOSURE AND DISSEMINATION OF ALL THIRD PARTIES AND SHALL USE SAME FOR OPERATING AND MAINTENANCE PURPOSES ONLY.		DESIGN RFPC
WR112 FLANGE COVER		RF-LAMBDA RFPC
CAD MODEL REVISION 19		1
ASSEMBLY REVISION VS52		1
ASSEMBLY NAME RFLVR17		1
DRAWING NUMBER D05-1		0
www.rflambda.com RF-LAMBDA		SIZE LT
SHEETS 1		OF 1