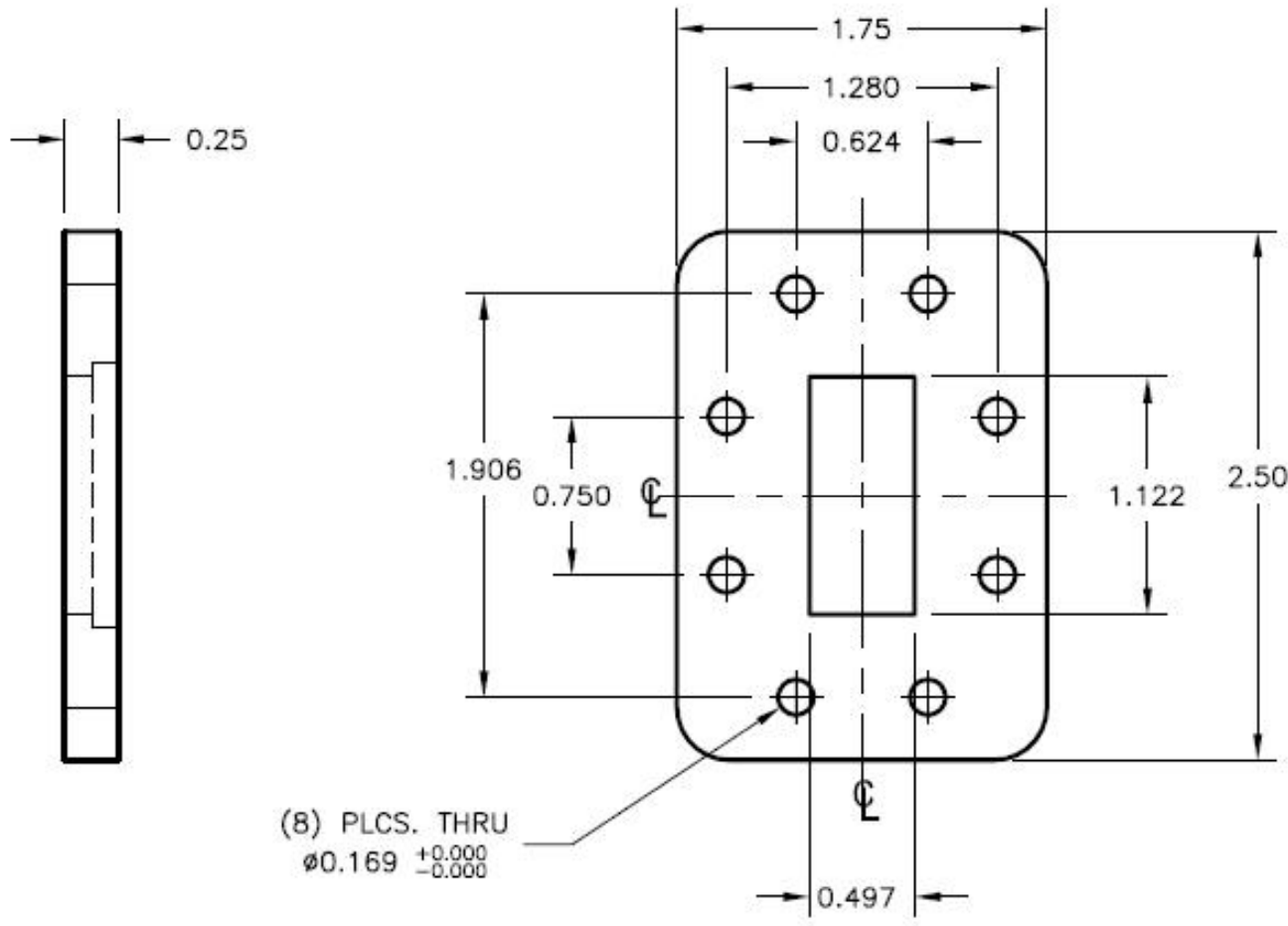



WR112 FLANGE STANDARD: CPR112F

1.0 Electrical Specifications	
1.1	Frequency Range 6.57~9.99GHz
1.2	Waveguide Type Rectangular WR112 /WG 15
1.3	Flange CPR112F



PAGE	OF	DATE	Nov 5 th 2001
<small>PROPRIETARY INFORMATION THE INFORMATION CONTAINED IN THIS DOCUMENT IS THE PROPERTY OF RF-LAMBDA EXCEPT AS SPECIFICALLY AUTHORIZED IN WRITINGS BY RF-LAMBDA. THE HOLDER OF THIS DOCUMENT SHALL KEEP ALL INFORMATION CONTAINED HEREIN CONFIDENTIAL AND SHALL PROTECT SAME IN THE WHOLE OR IN PART FROM DISCLOSURE AND DISSEMINATION OF ALL THIRD PARTIES AND SHALL USE SAME FOR OPERATING AND MAINTENANCE PURPOSES ONLY</small>		DESIGN	RFPC
 WR112 FLANGE COVER		RF-LAMBDA	RFPC
www.rflambda.com		CAD MODEL REVISION	19
		ASSEMBLY REVISION	VS52
		ASSEMBLY NAME	RFLVR17
		DRAWING NUMBER	D05-1
RF-LAMBDA	SIZE LT	SHEETS	1 OF 1