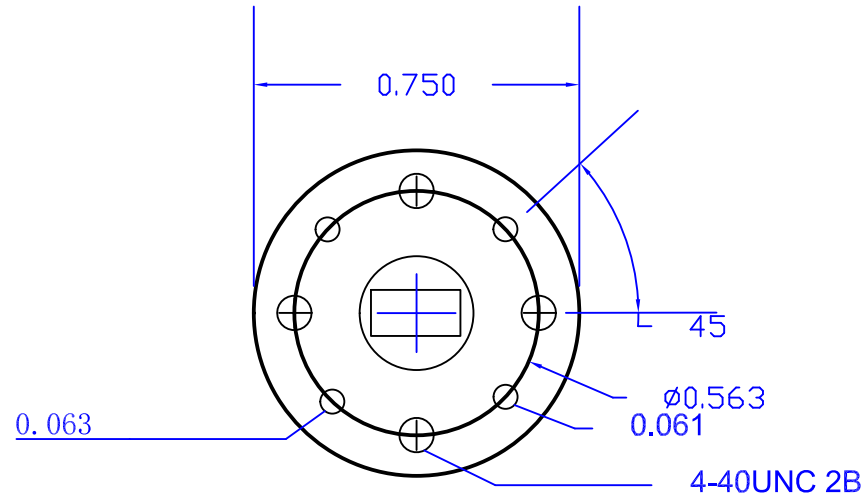


WR10 FLANGE STANDARD:UG387/U



1.0	ELECTRICAL SPECIFICATIONS	
1.1	Frequency Range	73.8-112GHz
1.2	Waveguid Type	RectaugularWR10/WG27
1.3	Flang	UG387/U

PAGE	OF	DATE
PROPRIETARY INFORMATION THE INFORMATION CONTAINED IN THIS DOCUMENT IS THE PROPERTY OF RF-LAMBDA EXCEPT AS SPECIFICALLY AUTHORIZED IN WRITING BY RF-LAMBDA. THE HOLDER OF THIS DOCUMENT SHALL KEEP ALL INFORMATION CONTAINED HEREIN CONFIDENTIAL AND SHALL PROTECT SAME IN THE WHOLE OR IN PART FROM DISCLOSURE AND DISSEMINATION OF ALL THIRD PARTIES AND SHALL USE SAME FOR OPERATING AND MAINTENANCE PURPOSES ONLY		DESIGN RFPC
WR10 FLANGE UG387/U		RF-LAMBDA RFPC
www.rflambda.com RF-LAMBDA		CAD MODEL REVISION 19 ASSEMBLY REVISION VS52 ASSEMBLY NAME RFLVR17 DRAWING NUMBER D05-1
SIZE	SHEETS	OF
LT	1	1