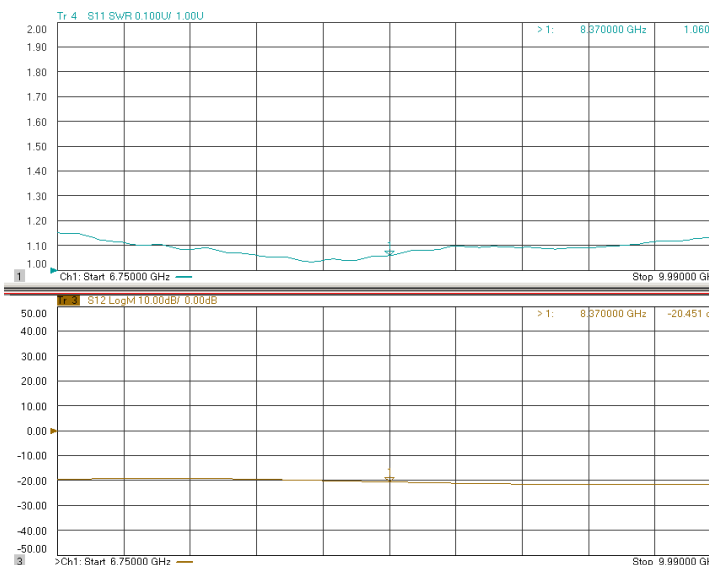
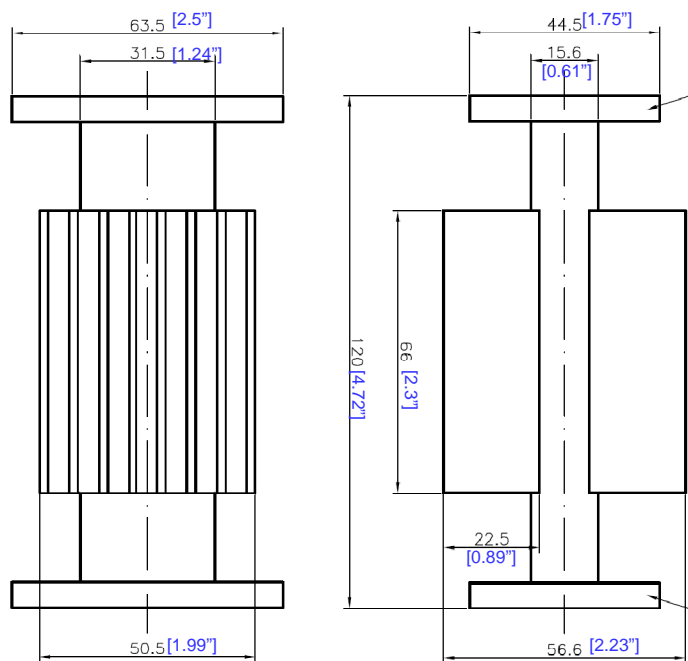


WAVEGUIDE WR112 25W ATTENUATOR - RFWAT112W025



3.0 Electrical Specifications		
3.1	Frequency	7.05-10.0GHz
3.2	Power	25W (CW)
3.3	Peak Power	1KW (8us pulse)
3.4	Attenuation	3dB~50dB
3.5	VSWR	1.20:1 (type.)

1.0 Mechanical Specifications		
1.1	Waveguide type	Rectangular Waveguide WR112
1.2	Flange type	CPRG, CPRF, COVER, CHOKE available
1.3	Flange Holes	Through
1.4	Basis-material	Alloyed Cuprum 0.1kg
1.5	Internal Finish	Silver Plated chromate or conversion
1.6	External Finish	Body painted with gray/black epoxy enamel

2.0 Environment specifications		
2.1	Operation Temp.	-40°C~+85°C
2.2	Storage Temp.	-60°C~+125°C
2.3	Altitude	45000 ft
2.4	Vibration	10g rms (15 degree 2KHz)
2.5	Humidity	100% RH at 35c, 95%RH at 40 deg c
2.6	Shock	20G for 11msc

PAGE 1 OF 1		DATE Sep 20 th 2005
<small>PROPRIETARY INFORMATION THE INFORMATION CONTAINED IN THIS DOCUMENT IS THE PROPERTY OF RF-LAMBDA EXCEPT AS SPECIFICALLY AUTHORIZED IN WRITINGS BY RF-LAMBDA. THE HOLDER OF THIS DOCUMENT SHALL KEEP ALL INFORMATION CONTAINED HEREIN CONFIDENTIAL AND SHALL PROTECT SAME IN THE WHOLE OR IN PART FROM DISCLOSURE AND DISSEMINATION OF ALL THIRD PARTIES AND SHALL USE SAME FOR OPERATING AND MAINTENANCE PURPOSES ONLY</small>		
DESIGN RFPC		RF-LAMBDA RFPC
CAD MODEL REVISION 11		ASSEMBLY REVISION VSSDS
ASSEMBLY NAME RFLVR05		DRAWING NUMBER D05-1
www.rflambda.com		SIZE LT
RF-LAMBDA		SHEETS 1 OF 1