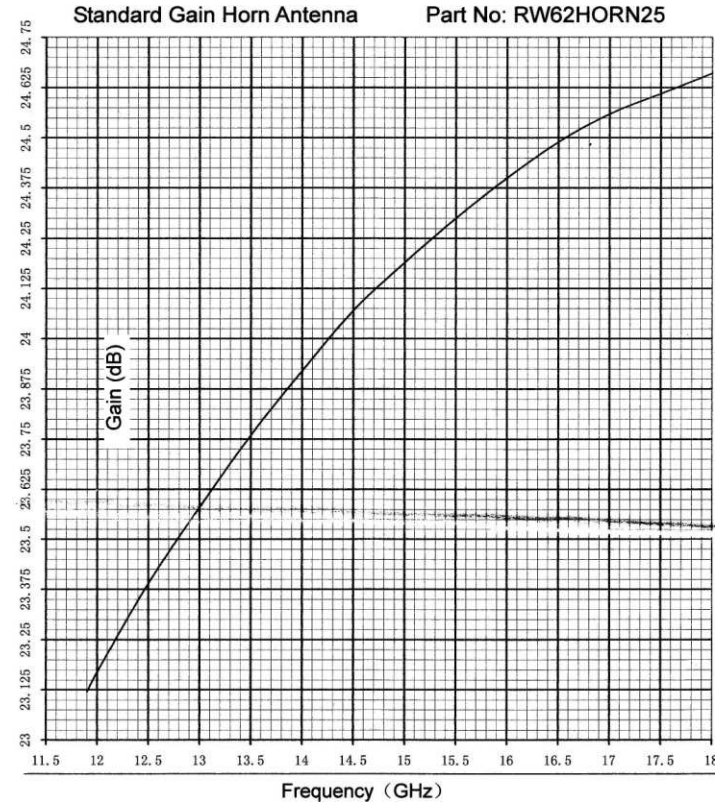
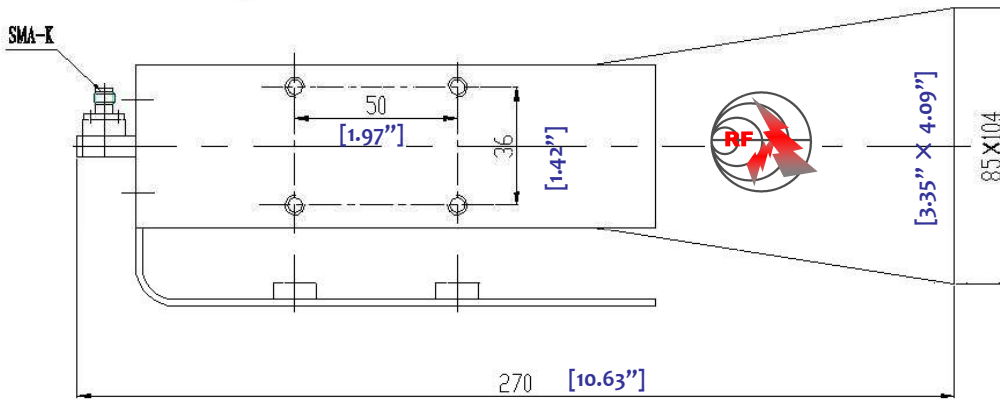


WR62 WAVEGUIDE STANDARD GAIN HORN ANTENNA – RW62HORN24B




3.0 Electrical Specifications		
3.1	Frequency Range	12.4-18GHz
3.2	Gain	24.7dB
3.2	VSWR	1.5:1 (max)



1.0 Mechanical Specifications		
1.1	Waveguide type	Rectangular Waveguide WR62
1.2	Flange type	CPRF, COVER
1.3	Flange Holes	Through
1.4	Basis-material	Brass
1.5	Internal Body Finish	Silver Plated chromate or conversion
1.6	External Body Finish	Body painted with gray/black epoxy enamel

2.0 Environment specifications		
2.1	Operation Temp.	-40°C~+70°C
2.2	Storage Temp.	-50°C~+125°C
2.3	Altitude	45000 ft
2.4	Vibration	10g rms (15 degree 2KHz)
2.5	Humidity	100% RH at 35c, 95%RH at 40 deg c
2.6	Shock	20G for 11msc

PAGE 1 OF 1		DATE Jun 21 st 2006
PROPRIETARY INFORMATION THE INFORMATION CONTAINED IN THIS DOCUMENT IS THE PROPERTY OF RF-LAMBDA EXCEPT AS SPECIFICALLY AUTHORIZED IN WRITING BY RF-LAMBDA. THE HOLDER OF THIS DOCUMENT SHALL KEEP ALL INFORMATION CONTAINED HEREIN CONFIDENTIAL AND SHALL PROTECT SAME IN THE WHOLE OR IN PART FROM DISCLOSURE AND DISSEMINATION OF ALL THIRD PARTIES AND SHALL USE SAME FOR OPERATING AND MAINTENANCE PURPOSES ONLY.		DESIGN RFPC
		RF-LAMBDA RFPC
 RW62HORN24B WAVEGUIDE HORN ANTENNA		CAD MODEL REVISION 11
		ASSEMBLY REVISION VS5D5
www.rflambda.com RF-LAMBDA		ASSEMBLY NAME RFLVR05
		DRAWING NUMBER D05-1
SIZE LT	SHEETS 1 OF 1	