



Applications

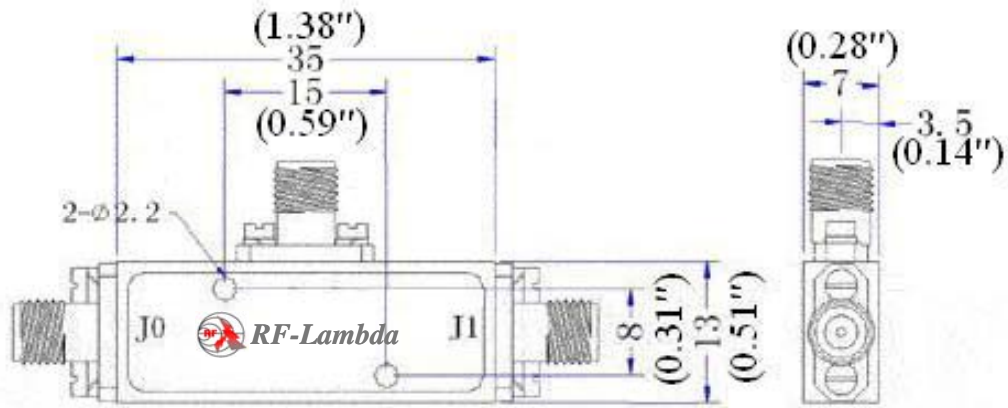
- Automatic Gain Control
- EW & Radar Systems
- Communications Systems
- Leveling Circuits
- Precision Test Equipment
- Electronic Simulators



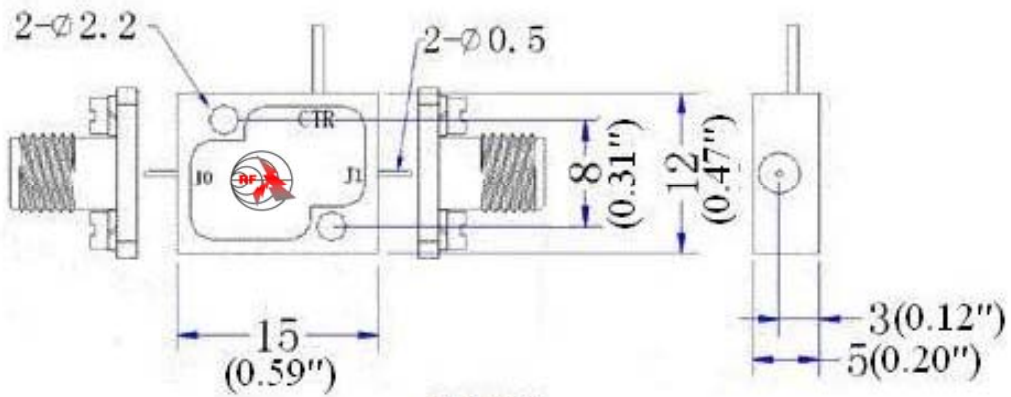
Reflective Voltage Controllable Variable Attenuators					
Part Number	Frequency (GHz)	Insertion Loss (dB)	Attenuation (dB)	VSWR	Package
RFVAT0218R20	2.0~18	2.0	20	2.0	RAX01, RAX02, RAX03
RFVAT0218R35	2.0~18	2.2	35	2.0	RAX01, RAX02, RAX03
RFVAT0218R50	2.0~18	2.5	50	2.0	RAX01, RAX02, RAX03
RFVAT0000R25	0.02~0.5	1.5	25	1.5	RAX01, RAX02, RAX03
RFVAT0001R50	0.5~1.0	1.5	50	1.5	RAX01, RAX02, RAX03
RFVAT0102R50	1.0~2.0	0.8	50	1.5	RAX01, RAX02, RAX03
RFVAT0204R50	2.0~4.0	1.2	50	1.5	RAX01, RAX02, RAX03
RFVAT0408R50	4.0~8.0	1.8	50	1.8	RAX01, RAX02, RAX03
RFVAT0812R50	8.0~12	2.2	50	1.8	RAX01, RAX02, RAX03
RFVAT1218R50	12~18	2.4	50	1.9	RAX01, RAX02, RAX03
Absorptive Voltage Controllable Variable Attenuators					
Part Number	Frequency (GHz)	Insertion Loss (dB)	Attenuation (dB)	VSWR	Package
RFVAT0501A30	0.5~1.0	1.5	30	1.5	RAX01, RAX02, RAX03
RFVAT0102A30	1.0~2.0	1.5	30	1.5	RAX01, RAX02, RAX03
RFVAT0204A30	2.0~4.0	1.2	30	1.5	RAX01, RAX02, RAX03
RFVAT0408A30	4.0~8.0	2.0	30	1.6	RAX01, RAX02, RAX03
RFVAT0812A30	8.0~12.0	2.5	30	1.8	RAX01, RAX02, RAX03
RFVAT1218A30	12~18	3.0	30	1.8	RAX01, RAX02, RAX03

Note:

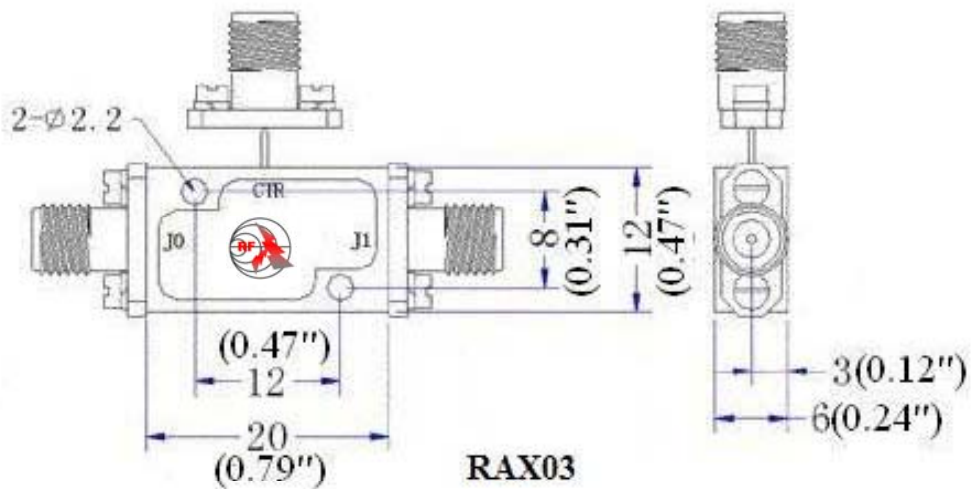
1. All of the voltage variable attenuators are current control, The control current:15-30 mA
2. When use the attenuator, a current limiting base resistor should be connected to the control PIN
3. The power handling capability :1W ~50 W
4. Temp. range: -55°C to +85°C



RAX01



RAX02



RAX03