



VOLTAGE CONTROLLABLE ATTENUATOR 12-18GHz

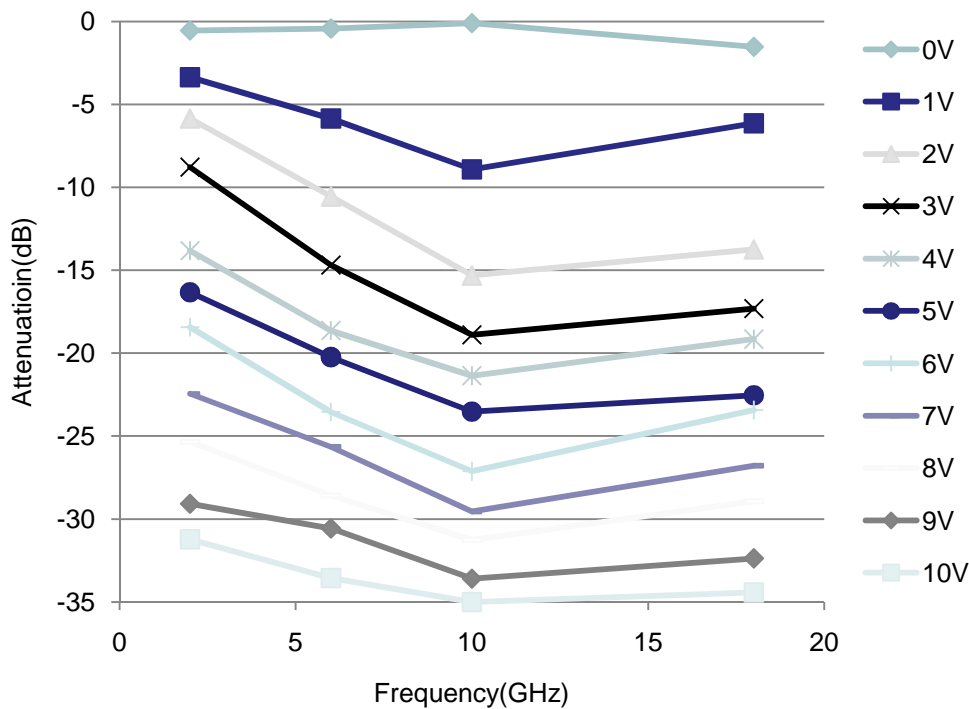
Features



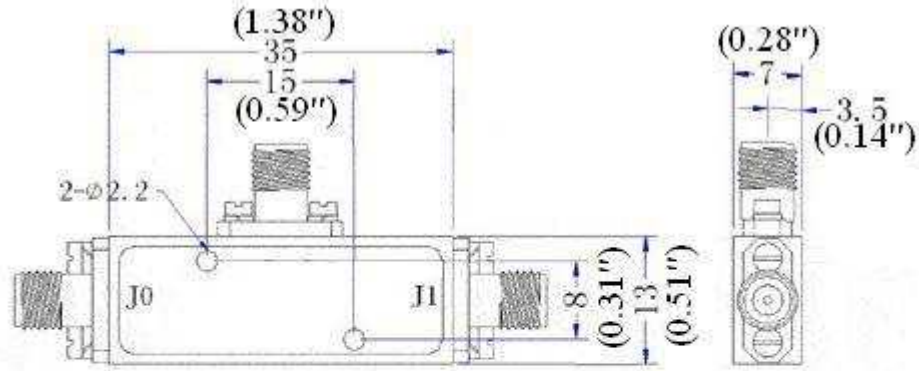
- Wide Band Operation 12-18GHz
- High Power Handle Capability up to 100W upon request.
- Current control and low power consumption
- Low Insertion Loss and High dynamic range
- Temperature Range -55°C~+85°C
- Maximum voltage +50V DC.
- Customization available upon request

Reflective voltage Controllable Attenuator 12-18GHz

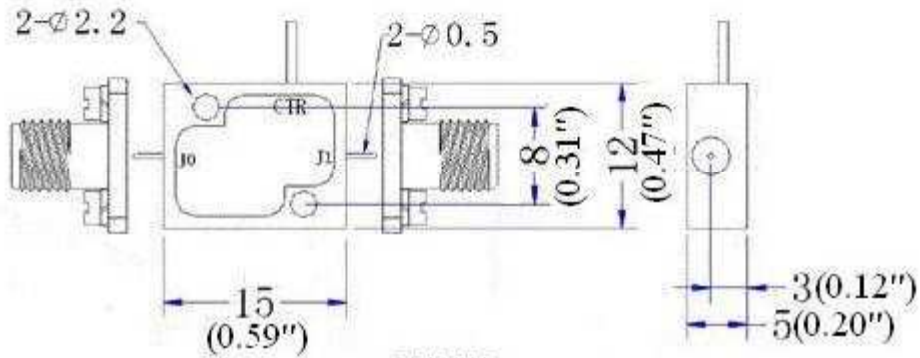
Reflective type attenuator						
Part Number	Frequency (GHz)	Insert. Loss (dB)	VSWR (Max:1)	Attenuation (dB)	Avg. Power Handling (Watts)	Current Control (mA)
RFVAT1218R50	12-18	2.2	2	30	0.2~100	15~20



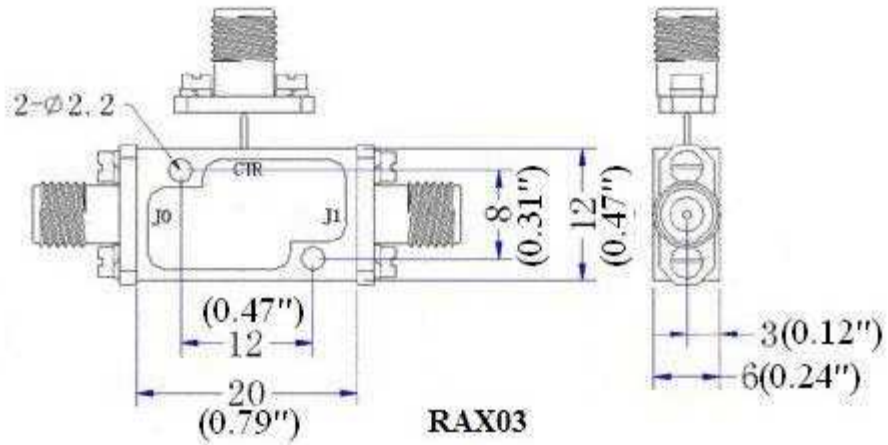
*standard unit with 220Ω internal current limiting resistor.
 *max. current 20mA



RAX01



RAX02



RAX03



RF-LAMBDA

RFVAT1218R50

Reflective Controllable Attenuator 12-18GHz

