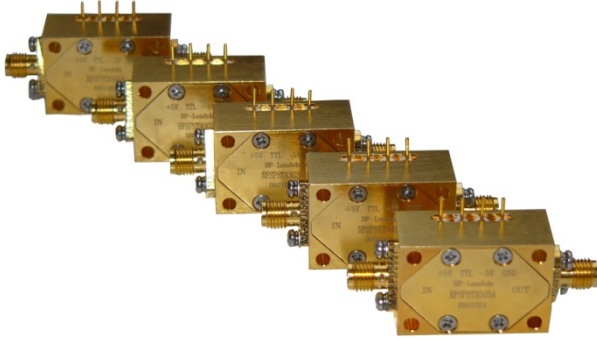




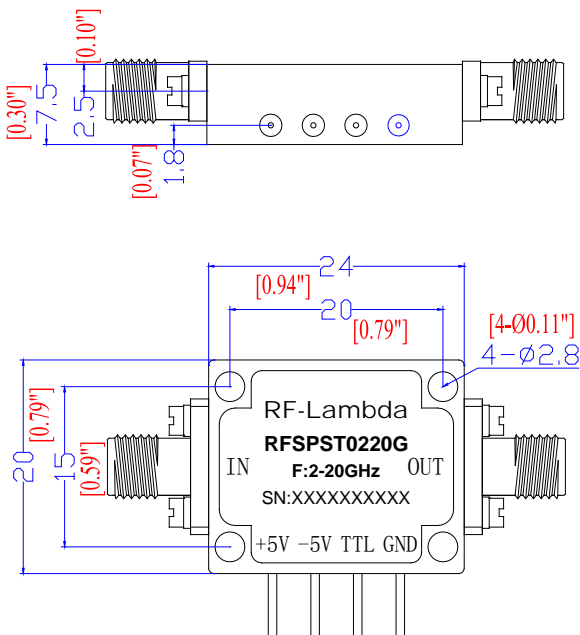
## Absorptive and Reflective 2-20GHz Coaxial SPST



### Features

- Wide Band Operation 2-20GHz
- High Power Handle Capability up to 5W upon request.
- TTL compatible driver include
- Fast Switching Speed
- Low Insertion Loss and High Isolation
- Temperature Range -40°C~+85°C
- Customization available upon request

Absorptive SPST- Single Pole Single Throw						
Part Number	Frequency (GHz)	Insert. Loss (dB)	VSWR (Max:1)	Isolation min (dB)	Power (Watts)	Switching Speed (ns)
RFSPSTA0220G	2-20	2.0 typ. 3.0 max	2.0	70	0.2W opt. 1W max.	50~100
Reflective SPST- Single Pole Single Throw						
Part Number	Frequency (GHz)	Insert. Loss (dB)	VSWR (Max:1)	Isolation min (dB)	Power (Watts)	Switching Speed (ns)
RFSPSTR0220G	2-20	2.0 typ. 3.0 max	2.0	70	0.5~5.0	100~500



### Mechanical Specification

- Finishing: Gold plating for brass material  
Other finishing available
- Connector: SMA-F Per MIL-C-39012
- Control PIN: 0.02" dia x 0.15" solder pins
- Weight: 20 grams max.
- Mounting: (4 / 6) 0.1" dia through holes

### Electrical Operation

DC Biasing:  
+5.0V (+/-0.5V 30mA max.)  
-5.0V (+/-0.5V 30mA max.)  
High Voltage Biasing is required for high RF power model.

TTL Logic Control:  
0 OFF  
1 J0->J1

Power Handle: 0.2W~50W (upon request)

Note: Contact RF-Lambda for faster switching speed, higher power handle, higher isolation

- 1.Higher power handle capability will give lower isolation , higher biasing current and slower switching speed.
- 2.Narrower frequency band will improve insertion loss and isolation.