



Absorptive and Reflective 90MHz-5.7GHz Coaxial SPST



Features

- Wide Band Operation 90MHz-5.7GHz
- High Power Handle Capability up to 10W upon request.
- TTL compatible driver include
- Fast Switching Speed
- Low Insertion Loss and High Isolation
- Temperature Range -55°C~+85°C
- Customization available upon request

Absorptive SPST- Single Pole Single Throw						
Part Number	Frequency (GHz)	Insert. Loss (dB)	VSWR (Max:1)	Isolation min (dB)	Avg. Power (Watts)	Switching Speed (ns)
RFSPSTA0006G	0.09-5.70	2.5	1.5	60	1W	100ns
Reflective SPST- Single Pole Single Throw						
Part Number	Frequency (GHz)	Insert. Loss (dB)	VSWR (Max:1)	Isolation min (dB)	Avg. Power (Watts)	Switching Speed (ns)
RFSPSTR0006G	0.09-5.70	2.2	1.5	80	5~10	500~2000

Mechanical Specification

Finishing: Gold plating for brass material
Other finishing available

Connector: SMA-F Per MIL-C-39012

Control PIN: 0.02" dia x 0.15" solder pins

Weight: 20 grams max.

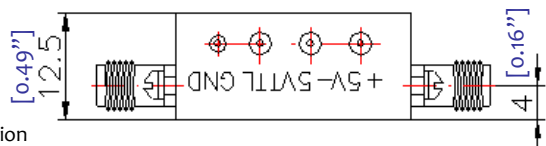
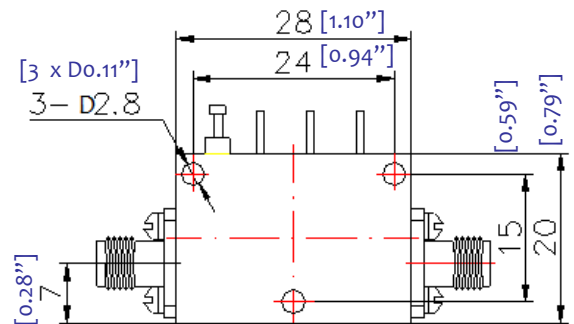
Electrical Operation

DC Biasing: +5.0V (+/-0.5V 30mA max.)
-5.0V (+/-0.5V 30mA max.)

High Voltage Biasing is required for high RF power model.

TTL Logic Control: "1"=IL, "0"=Isolation

Power Handle: 0.2W~10W (upon request)



Note: Contact RF-Lambda for faster switching speed, higher power handle, higher isolation

- 1.Higher power handle capability will give lower isolation , higher biasing current and slower switching speed.
- 2.Narrower frequency band will improve insertion loss and isolation.



RF-LAMBDA

The power beyond expectations

90MHz-5.7GHz PIN SPST

Absorptive / Reflective Coaxial Single Pole Single Throw Switch 0.09-5.70GHz

