



## Absorptive / Reflective 0.02-3.0GHz SP8T Switch

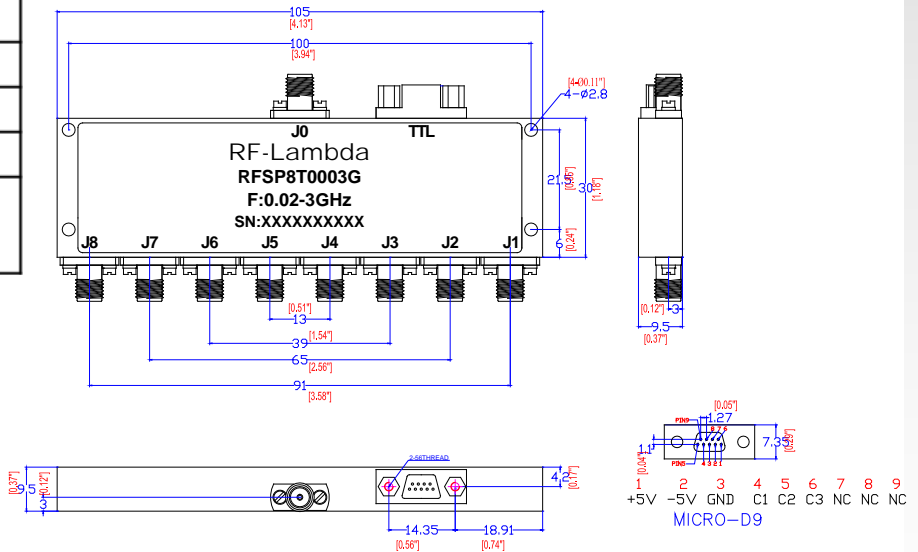


- Wide Band Operation 0.02-3.0GHz
- High Power Handle Capability from 0.2W CW to 30W upon request.
- TTL compatible driver include
- Fast Switching Speed
- Low Insertion Loss and High Isolation
- Temperature Range -40°C~+85°C
- Customization available upon request

| Absorptive SP8T- Single Pole Eight Throw |                 |                   |              |                    |                             |                      |
|--|-----------------|-------------------|--------------|--------------------|-----------------------------|----------------------|
| Part Number                              | Frequency (GHz) | Insert. Loss (dB) | VSWR (Max:1) | Isolation min (dB) | Avg. Power Handling (Watts) | Switching Speed (ns) |
| RFSP8TA0003G                             | 0.02-3.0        | 3.2               | 1.7          | 60                 | 0.2-1                       | 100-500              |
| Reflective SP8T- Single Pole Eight Throw |                 |                   |              |                    |                             |                      |
| Part Number                              | Frequency (GHz) | Insert. Loss (dB) | VSWR (Max:1) | Isolation min (dB) | Avg. Power Handling (Watts) | Switching Speed (us) |
| RFSP8TR0003G                             | 0.02-3.0        | 3.0               | 1.7          | 60                 | 1-30                        | 0.5-10               |

| Environment specifications |   |
|----------------------------|---|
| Altitude                   | 45000 ft  |
| Vibration                  | 10g rms (15 degree 2KHz)  |
| Humidity                   | 100% RH at 35c, 95%RH at 40 deg c   |
| Shock                      | 20G for 11msc   |
| PIN define                 | PIN 1:+5V PIN 2:-5V PIN 3: GND<br>PIN 4:C1 PIN 5:C2 PIN 6:C3<br>PIN 7,8,9 N/A |

| C3 | C2 | C1 | ON      |
|----|----|----|---------|
| 0  | 0  | 0  | J0 → J1 |
| 0  | 0  | 1  | J0 → J2 |
| 0  | 1  | 0  | J0 → J3 |
| 0  | 1  | 1  | J0 → J4 |
| 1  | 0  | 0  | J0 → J5 |
| 1  | 0  | 1  | J0 → J6 |
| 1  | 1  | 0  | J0 → J7 |
| 1  | 1  | 1  | J0 → J8 |



Absorptive / Reflective Coaxial Single Pole Eight Throw Switch 0.02GHz-3.0GHz