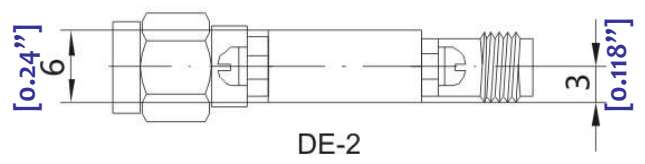
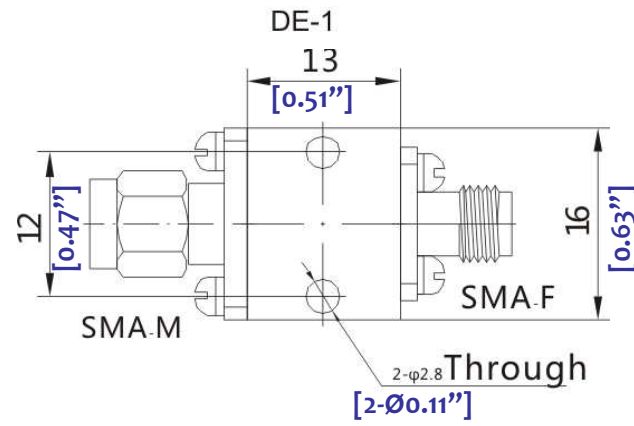
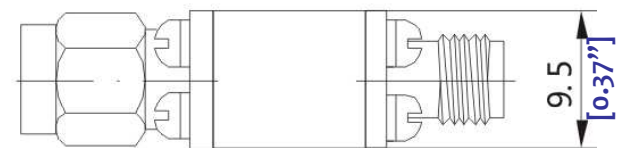
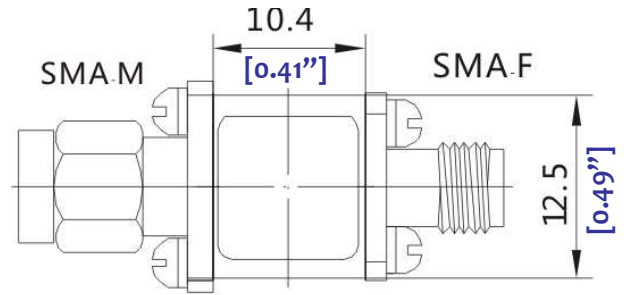


8-18GHz COAXIAL POWER DETECTOR

PN: RPDT0818GA



Statistic	Avg
VSWR	1.27
Frequency	Sensitivity (mV/uW)
8GHz	0.40
10GHz	0.39
11GHz	0.41
12GHz	0.41
13GHz	0.42
14GHz	0.394
15GHz	0.39
16GHz	0.404
17 GHz	0.4
18GHz	0.386

1.0 Mechanical Specifications	
1.1	Connector Type SMA(M,F)
1.2	Size SEE DRAWING
1.3	Weight 10g
1.4	External Body Finish Gold / Nickel plated laser sealed.

2.0 Environment specifications	
2.1	Operation Temp. -20°C~+55°C
2.2	Storage Temp. -55°C~+125°C
2.3	Altitude 42000 ft
2.4	Vibration 10g rms (15 degree 2KHz)
2.5	Humidity 100% RH at 35c, 95%RH at 40 deg c
2.6	Shock 20G for 11msc

3.0 Electrical Specifications			
Frequency (GHz)	Power (W)	Polarity	VSWR (max.)
8~18	0.1	Positive / Negative	1.5

PAGE 1 OF 1

DATE Apr 6th 2008

DESIGN RFPC

RF-LAMBDA RFPC

CAD MODEL REVISION 10

ASSEMBLY REVISION VS52

ASSEMBLY NAME RFLVR07

DRAWING NUMBER D05-A

RPDT0818GA
COAXIAL POWER DETECTOR

www.rflambda.com

RF-LAMBDA SIZE LT SHEETS 1 OF 1