



50W Power Adjustable Amplifier 0.8-1.5GHz

Features

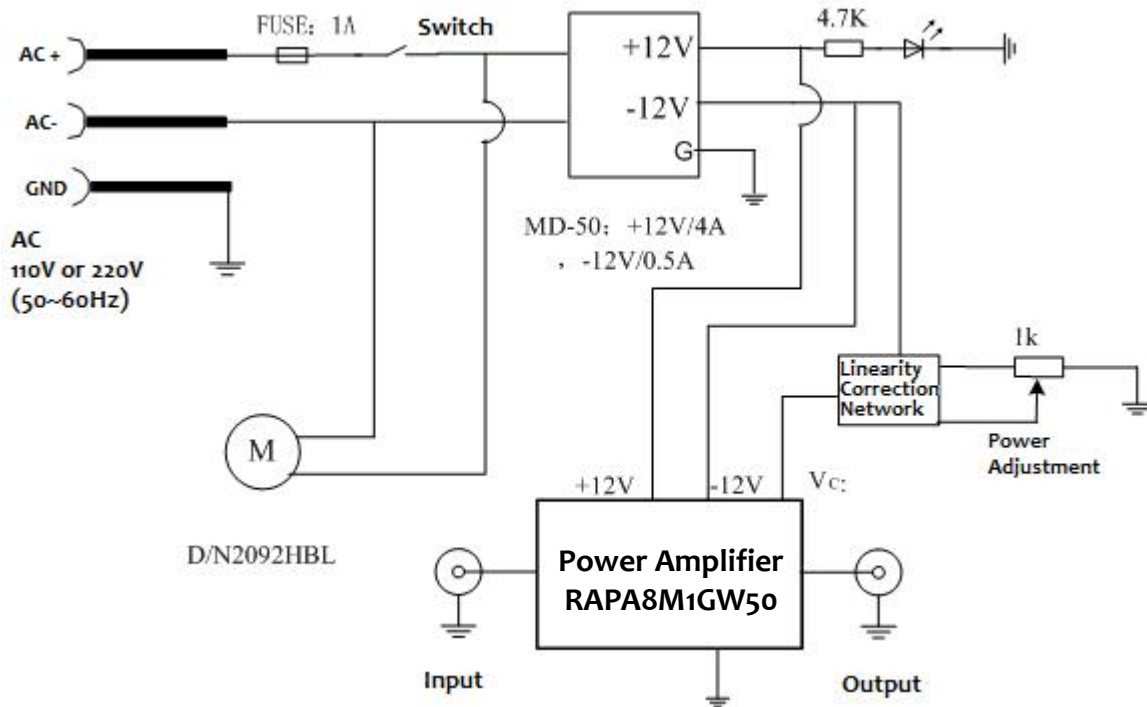
- Wide Band Operation 0.3GHz wide
- High Power 50~150W upon request.
- Wide range power adjustment
- Flat frequency response
- Input, output protection with alarm.
- Temperature Range -20°C~+75°C
- Customization available upon request



Electrical Specifications			
Frequency	0.8GHz-1.5GHz	Bandwidth	0.3GHz window
RF Gain	49dBm+/-1.0dBm	Psat	50W CW
Gain variation	+/-1dBm (-25°C~+75°C)	P1dB	+47dBm
Input	+3dBm max.	VSWR:	1.5 : 1
Over Drive protection	Input>10dBm	Current Protection	12.35A
Alarm Light (RED)	Input Over Drive or Current protection	Power adjustment	49dB range
Cooling	Air cooling (Fan inside)	Over Temperature shut down	>95°C
Mechanical Specifications			
Operation Temperature:	-25°C to 75°C	Mechanical shock	30G, 11mSec half sin wave, 3 axis both directions
Vibration:	14.2g RMS (15-2000Hz) functional	Humidity	95% relative humidity, 65°C 96Hour
	16.2g RMS (15-2000Hz) endurance, 1 hour per axis	MTBF	50000 hour min
Connectors:	SMA or N type	Dimension	13.39" x 9.84" x 5.67" 340 X 250 X 144 mm



		Gain vs. Frequency and Input power													
Pin	Freq (GHz)	0.8	0.85	0.9	0.95	1.0	1.05	1.1	1.15	1.2	1.3	1.35	1.4	1.45	1.5
	+1dBm	46.1	46.5	44.8	44.6	46.2	45.9	46.1	45.6	45.5	46.2	46.1	45.8	46.2	45.6
	+2dBm	45.1	44.8	44.5	45.3	45.1	44.9	45.2	44.6	44.8	45.2	45.1	44.9	44.4	45.2
	+3dBm	44.1	43.6	43.8	44.2	43.5	43.6	44.3	43.8	44.5	44.1	43.7	44.2	43.9	44.1



50W Power Adjustable Power Amplifier 0.8-1.5GHz