



15W Power Adjustable Amplifier 6-8GHz

Features

- Wide Band Operation full band
- High Power 15~45W upon request.
- Wide range power adjustment
- Flat frequency response
- Input, output protection with alarm.
- Temperature Range -20°C~+75°C
- Customization available upon request



Electrical Specifications			
Frequency	6GHz-8GHz	Bandwidth	FULL
RF Gain	42dBm+/-1.0dBm	Power	15W CW
Gain variation	+/-1dBm (-25°C~+75°C)	P1dB	+42dBm
Input	+5dBm max.	VSWR:	1.5 : 1
Over Drive protection	Input>10dBm	Current Protection	3.7A
Alarm Light (RED)	Input Over Drive or Current protection	Power adjustment	42dB range
Cooling	Air cooling (Fan inside)	Over Temperature shut down	>95°C
Mechanical Specifications			
Operation Temperature:	-25°C to 75°C	Mechanical shock	30G, 11mSec half sin wave, 3 axis both directions
Vibration:	14.2g RMS (15-2000Hz) functional	Humidity	95% relative humidity, 65°C 96Hour
	16.2g RMS (15-2000Hz) endurance, 1 hour per axis	MTBF	50000 hour min
Connectors:	SMA or N type	Dimension	13.39" x 9.84" x 5.67" 340 X 250 X 144 mm

15W Power Adjustable Power Amplifier 6-8GHz



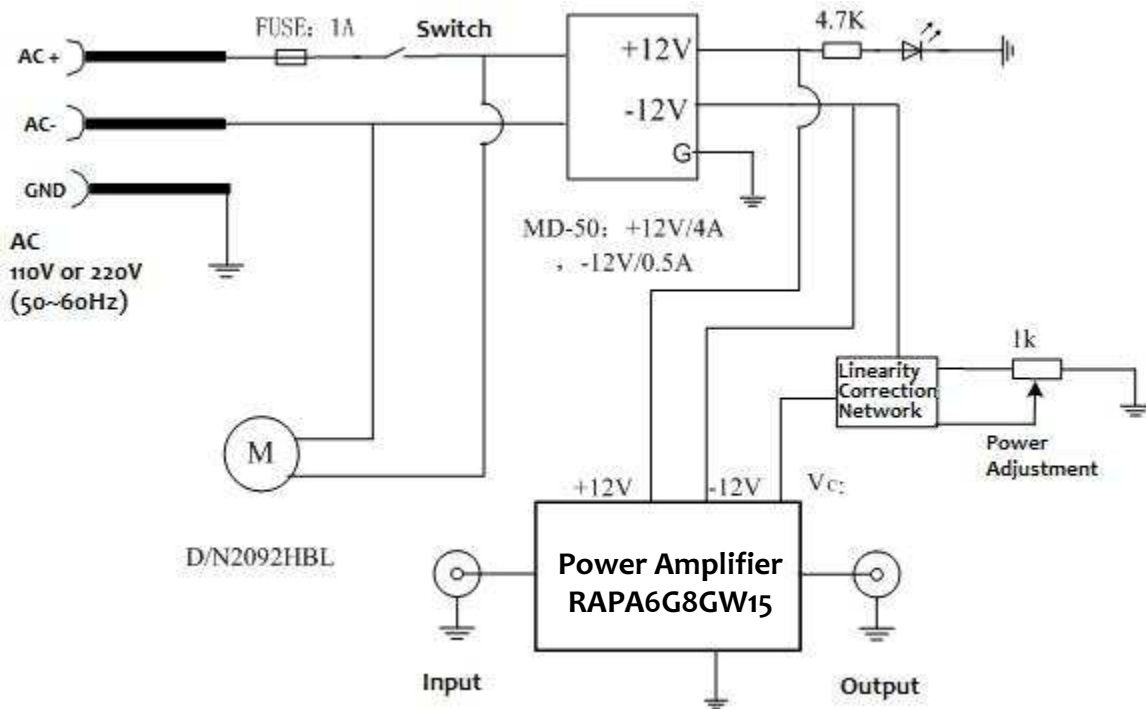
RF-LAMBDA

The power beyond expectations

RAPA6G8GW15



Gain vs. Frequency and Input power																
Pin \ Freq (GHz)	6.4	6.5	6.6	6.7	6.8	6.9	7.0	7.1	7.2	7.3	7.4	7.5	7.6	7.7		
+2dBm	40.1	39.7	39.8	40.2	40.4	39.9	40.2	39.8	40.3	40.5	40.2	39.8	39.5	40.1		
+3dBm	39.0	39.4	38.7	39.1	38.5	38.7	38.8	39.2	39.3	38.7	38.4	39.4	38.9	39.1		
+4dBm	37.8	37.9	38.1	38.3	38.2	37.7	38.4	38.5	37.9	37.6	38.3	37.5	37.6	38.2		
+5dBm	37.2	37.1	37.4	36.9	36.7	37	37.3	37.4	36.7	36.9	37.2	37.1	36.6	37.2		



15W Power Adjustable Power Amplifier 6-8GHz