



## 20W Power Adjustable Amplifier 4-7GHz

### Features

- Wide Band Operation 0.8GHz wide
- High Power 20~60W upon request.
- Wide range power adjustment
- Flat frequency response
- Input, output protection with alarm.
- Temperature Range -20°C~+75°C
- Customization available upon request



Electrical Specifications			
Frequency	4GHz-7GHz	Bandwidth	0.8GHz window
RF Gain	45dBm+/-1.0dBm	Power	20W CW
Gain variation	+/-1dBm (-25°C~+75°C)	P1dB	+43dBm
Input	+3dBm max.	VSWR:	1.5 : 1
Over Drive protection	Input>10dBm	Current Protection	5A
Alarm Light (RED)	Input Over Drive or Current protection	Power adjustment	45dB range
Cooling	Air cooling (Fan inside)	Over Temperature shut down	>95°C
Mechanical Specifications			
Operation Temperature:	-25°C to 75°C	Mechanical shock	30G, 11mSec half sin wave, 3 axis both directions
Vibration:	14.2g RMS (15-2000Hz) functional	Humidity	95% relative humidity, 65°C 96Hour
	16.2g RMS (15-2000Hz) endurance, 1 hour per axis	MTBF	50000 hour min
Connectors:	SMA or N type	Dimension	13.39" x 9.84" x 5.67" 340 X 250 X 144 mm

20W Power Adjustable Power Amplifier 4-7GHz



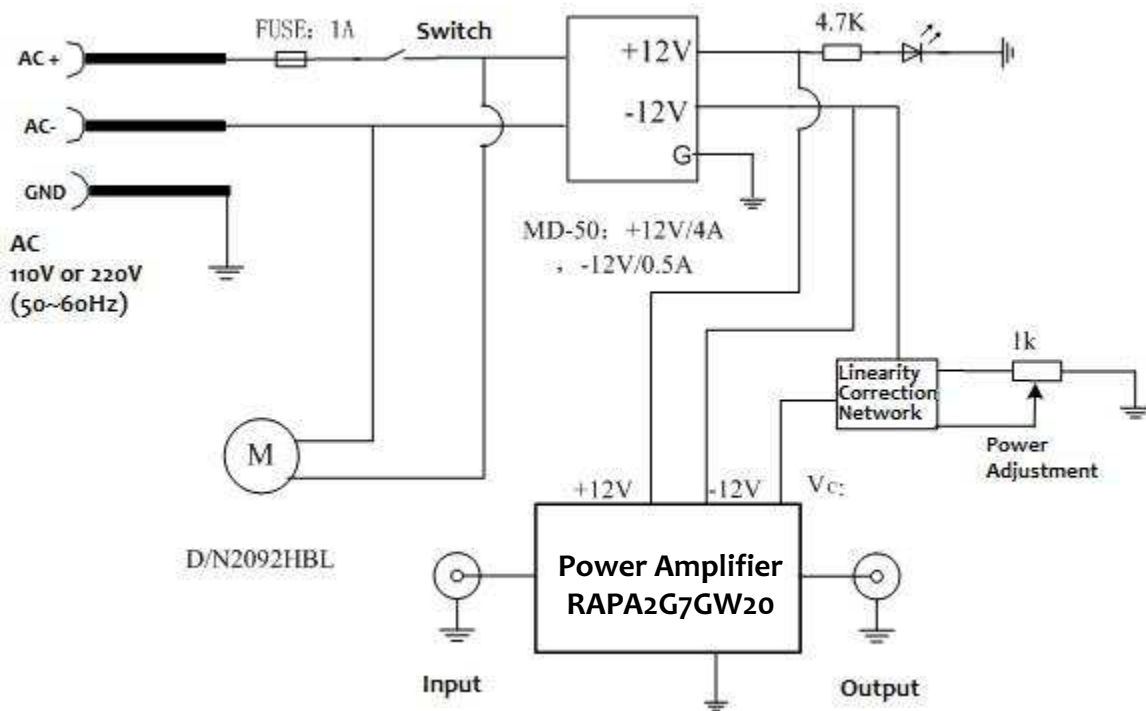
# RF-LAMBDA

The power beyond expectations

RAPA4G7GW20



Gain vs. Frequency and Input power														
Pin \ Freq (GHz)	4.9	5.0	5.1	5.2	5.3	5.4	5.5	5.6	5.7	5.8	5.9	6.0	6.1	6.2
+1dBm	42.1	42.3	41.9	41.8	42.1	41.6	41.8	42.4	42.1	42.3	41.6	42.2	42.1	41.9
+2dBm	41.1	41.2	41.4	40.8	40.9	41.3	41.1	40.8	41.1	40.7	40.6	41.2	40.8	40.9
+3dBm	39.6	39.8	40.1	39.7	40.3	40.1	39.9	40.2	40	40.4	39.2	39.5	40.3	40.2



20W Power Adjustable Power Amplifier 4-7GHz