



## 50W Power Adjustable Amplifier 0.2-0.8GHz

### Features

- Wide Band Operation 0.2GHz wide
- High Power 50~150W upon request.
- Wide range power adjustment
- Flat frequency response
- Input, output protection with alarm.
- Temperature Range -20°C~+75°C
- Customization available upon request



Electrical Specifications			
Frequency	0.2GHz-0.8GHz	Bandwidth	0.2GHz window
RF Gain	51dBm+/-1.0dBm	Power	50W CW
Gain variation	+/-1dBm (-25°C~+75°C)	P1dB	+47dBm
Input	+2dBm max.	VSWR:	1.5 : 1
Over Drive protection	Input>10dBm	Current Protection	12.35A
Alarm Light (RED)	Input Over Drive or Current protection	Power adjustment	51dB range
Cooling	Air cooling (Fan inside)	Over Temperature shut down	>95°C
Mechanical Specifications			
Operation Temperature:	-25°C to 75°C	Mechanical shock	30G, 11mSec half sin wave, 3 axis both directions
Vibration:	14.2g RMS (15-2000Hz) functional	Humidity	95% relative humidity, 65°C 96Hour
	16.2g RMS (15-2000Hz) endurance, 1 hour per axis	MTBF	50000 hour min
Connectors:	SMA or N type	Dimension	13.39" x 9.84" x 5.67" 340 X 250 X 144 mm

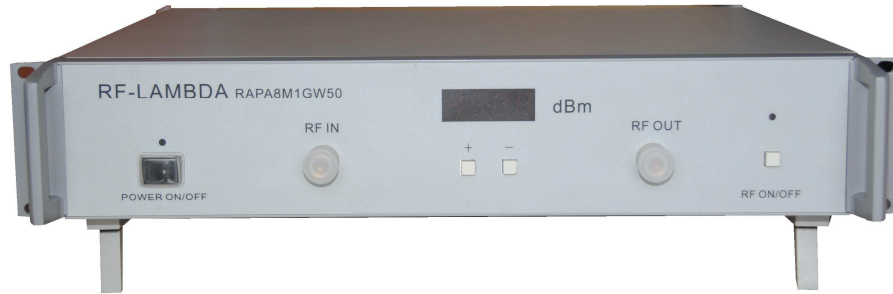
50W Power Adjustable Power Amplifier 0.2-0.8GHz



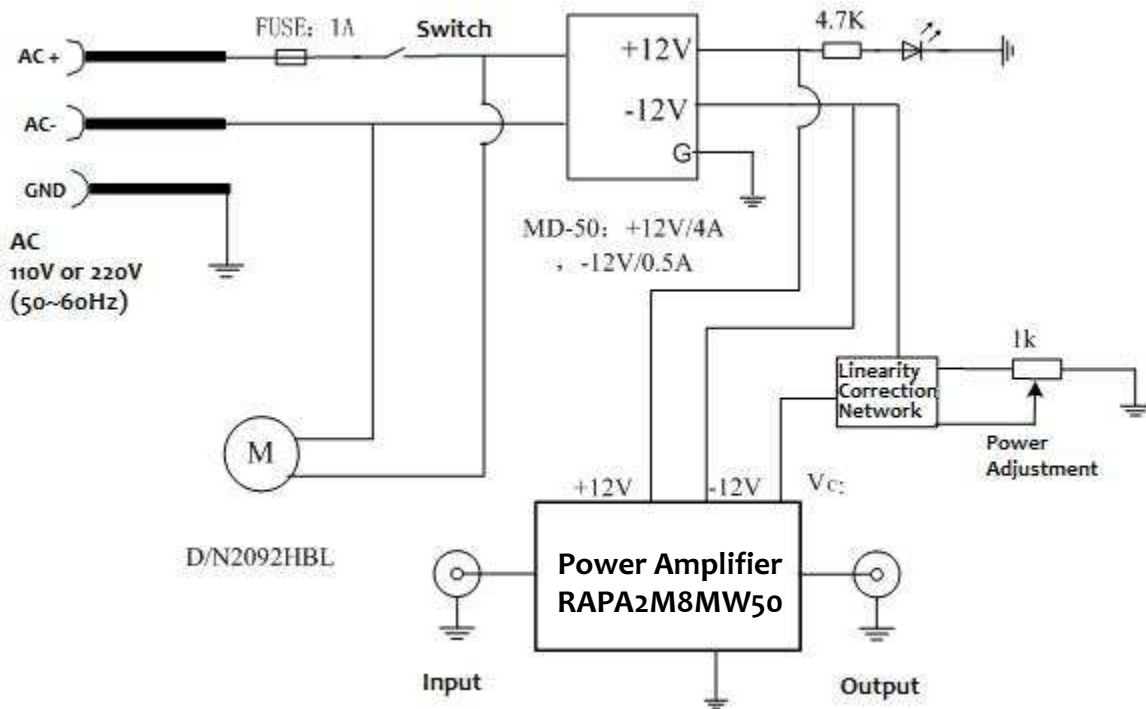
# RF-LAMBDA

The power beyond expectations

RAPA2M8MW50



Gain vs. Frequency and Input power															
Pin	Freq (GHz)	0.2	0.25	0.3	0.35	0.4	0.45	0.47	0.5	0.55	0.6	0.65	0.7	0.75	0.8
	+1dBm	45.5	45.8	45.9	45.7	45.1	46.2	46	45.8	46.2	45.9	46.3	45.5	46.2	46.1
	+2dBm	45.3	45.2	44.8	44.7	45.3	44.9	45.2	45	44.6	44.3	45.1	44.9	45.5	45.2



50W Power Adjustable Power Amplifier 0.2-0.8GHz