



5W Power Adjustable Amplifier 14-18GHz

Features

- Wide Band Operation full band
- High Power 5~15W upon request.
- Wide range power adjustment
- Flat frequency response
- Input, output protection with alarm.
- Temperature Range -20°C~+75°C
- Customization available upon request



Electrical Specifications			
Frequency	14GHz-18GHz	Bandwidth	FULL
RF Gain	42dBm+/-1.0dBm	Power	5W CW
Gain variation	+/-1dBm (-25°C~+75°C)	P1dB	+37dBm
Input	+3dBm max.	VSWR:	1.5 : 1
Over Drive protection	Input>10dBm	Current Protection	1.2A
Alarm Light (RED)	Input Over Drive or Current protection	Power adjustment	42dB range
Cooling	Air cooling (Fan inside)	Over Temperature shut down	>95°C
Mechanical Specifications			
Operation Temperature:	-25°C to 75°C	Mechanical shock	30G, 11mSec half sin wave, 3 axis both directions
Vibration:	14.2g RMS (15-2000Hz) functional	Humidity	95% relative humidity, 65°C 96Hour
	16.2g RMS (15-2000Hz) endurance, 1 hour per axis	MTBF	50000 hour min
Connectors:	SMA or N type	Dimension	13.39" x 9.84" x 5.67" 340 X 250 X 144 mm

5W Power Adjustable Power Amplifier 14-18GHz



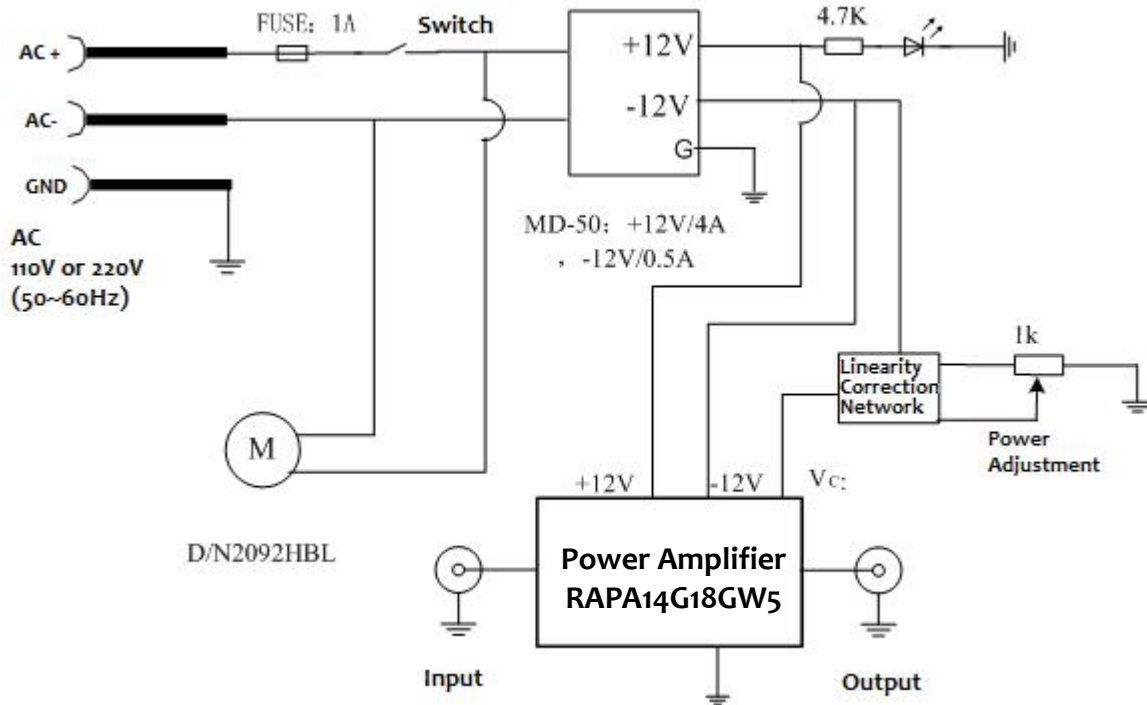
RF-LAMBDA

The power beyond expectations

RAPA14G18GW5



Gain vs. Frequency and Input power														
Pin \ Freq (GHz)	15.3	15.4	15.5	15.6	15.7	15.8	15.9	16	16.1	16.2	16.3	16.4	16.5	16.6
+1dBm	36.1	36.2	35.8	35.9	36.2	35.7	35.6	35.9	36.2	36.3	35.6	35.8	36.1	36.2
+2dBm	34.8	34.7	34.9	35.1	35.3	35.2	35.5	34.8	34.6	34.9	35.0	35.1	34.8	35.1
+3dBm	33.8	33.9	34.0	34.2	33.4	34.2	33.8	33.9	34.2	34.1	34.5	33.9	34.2	34.1



5W Power Adjustable Power Amplifier 14-18GHz