



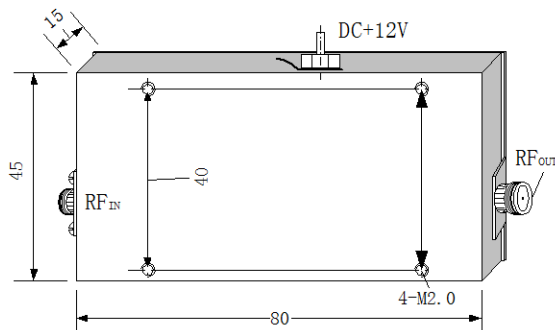
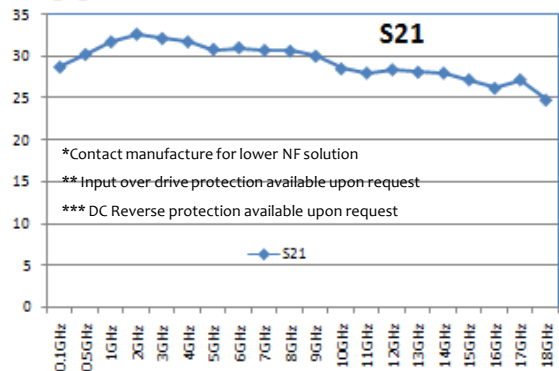
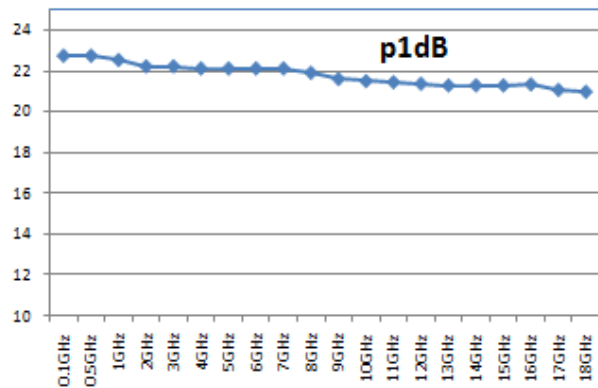
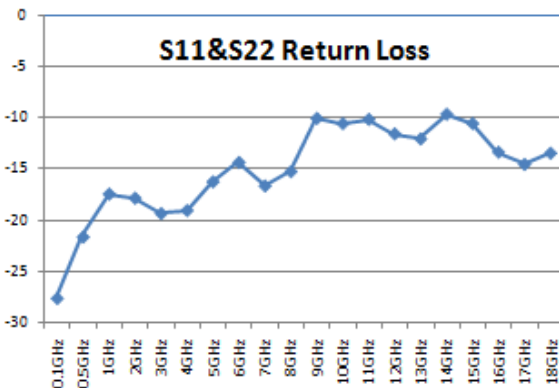
## Ultra Wide Band Medium Power Amplifier 0.5GHz~18.0GHz

- High Gain 30dB
- Applicable for base station, repeaters of cellular network
- LMDS multi-carrier operation
- Aerospace and military applications
- High Peak to average handle capability
- High Linearity and low noise figure
- All specifications can be modified upon request



Heat Sink required during operation.

Electrical Specifications			
Frequency:	0.5GHz-18.0GHz	P1dB	+22dBm
Noise Figure:	3.0dB typ. 4.0dB Max *	Out IP3:	+30dBm
Gain:	30dB	Output VSWR:	2.0 : 1
Flatness:	+/-2.5dB	Input VSWR:	2.0 : 1
Input Power	-5dBm (Max) **	DC Voltage:	+12V/+15V/280mA max ***
Mechanical and Environmental Specifications			
Operation Temperature:	-40°C to 85°C base plate	Mechanical shock	30G, 11mSec half sin wave, 3 axis both directions
Vibration:	14.2g RMS (15-2000Hz) functional	Humidity	95% relative humidity, 65°C 96Hour
	16.2g RMS (15-2000Hz) endurance, 1 hour /axis	MTBF	50000 hour min
Connectors:	RF SMA-F / N-F Removable	Case:	Conductive no paint
	Supply RFI filter solder Pin	Dimension Size (L x W x H):	3.15" X 1.77" X 0.60" 80mm x 45mm x 15mm



Ultra Wide Band Power Amplifier 0.5GHz~18.0GHz