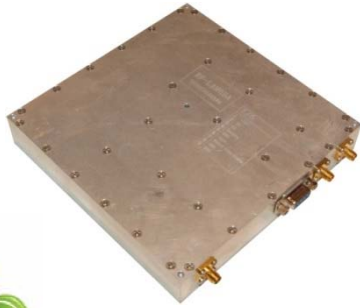




## 50.12W Narrow Band Power Amplifier 0.69-0.96GHz



- High output power >+47dBm
- Applicable for base station ,repeaters of cellular network
- Aerospace and military application
- LMDS multi-carrier operation
- High peak to average handle capability
- High Linearity and low noise figure
- All specifications can be modified upon request

50.12W Narrow Band Power Amplifier 0.69-0.96GHz

Electrical Specifications			
Frequency :	0.69-0.96GHz	P1dB	47dBm
Noise Figure:	5dB	P sat	35W
Gain	47dB+/-1dB	Ourput VSWR:	2.0:1
Power	50.12W	Input VSWR:	2.0:1
		DC Voltage:	+28VDC 2.6A max
Mechanical and Environmental Specifications			
Operation Temperature:	-40°C to 85°C base plate	Mechanical shock	30G,11mSec half sin wave,3 axis both directions
Vibration:	14.2g RMS(15-2000Hz) functional	Humidity	95% relative humidity,65°C 96Hour
	16.2g RMS(15-2000Hz) endurance, 1 hour per axis	MTBF	50000 hour min
Connectors:	SMA-Female	Case	Conductive no paint
	Supply RFI fiter solder pin	Dimension (LxWxH):	See drawing. (Heat Sink is a option)

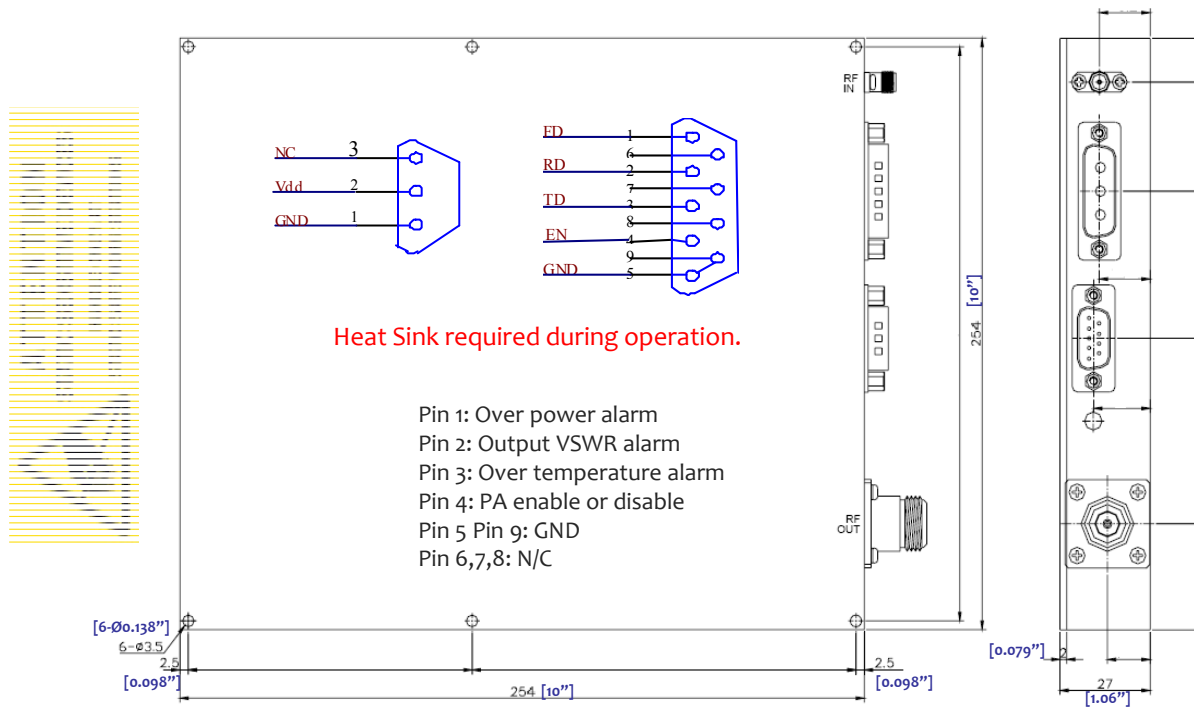
Ordering Information		
Part No	ECCN	Description
RFLNPA6996A	EAR99	0.69-0.96GHz Narrow Band Power Amplifier



# RF-LAMBDA

The power beyond expectations

RFLNPA6996A



50.12W Narrow Band Power Amplifier 0.69-0.96GHz

## Important Notice

The information contained herein is believed to be reliable. RF-Lambda makes no warranties regarding the information contained herein. RF-Lambda assumes no responsibility or liability whatsoever for any of the information contained herein. RF-Lambda assumes no responsibility or liability whatsoever for the use of the information contained herein. The information contained herein is provided "AS IS, WHERE IS" and with all faults, and the entire risk associated with such information is entirely with the user. All information contained herein is subject to change without notice. Customers should obtain and verify the latest relevant information before placing orders for RF-Lambda products. The information contained herein or any use of such information does not grant, explicitly or implicitly, to any party any patent rights, licenses, or any other intellectual property rights, whether with regard to such information itself or anything described by such information.

RF-Lambda products are not warranted or authorized for use as critical components in medical, life-saving, or life sustaining applications, or other applications where a failure would reasonably be expected to cause severe personal injury or death.