



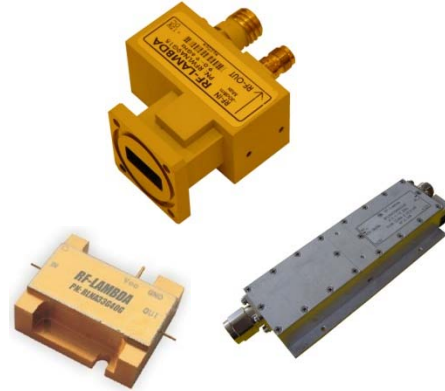
RF-LAMBDA

The power beyond expectations

RFLNPA38G40GA

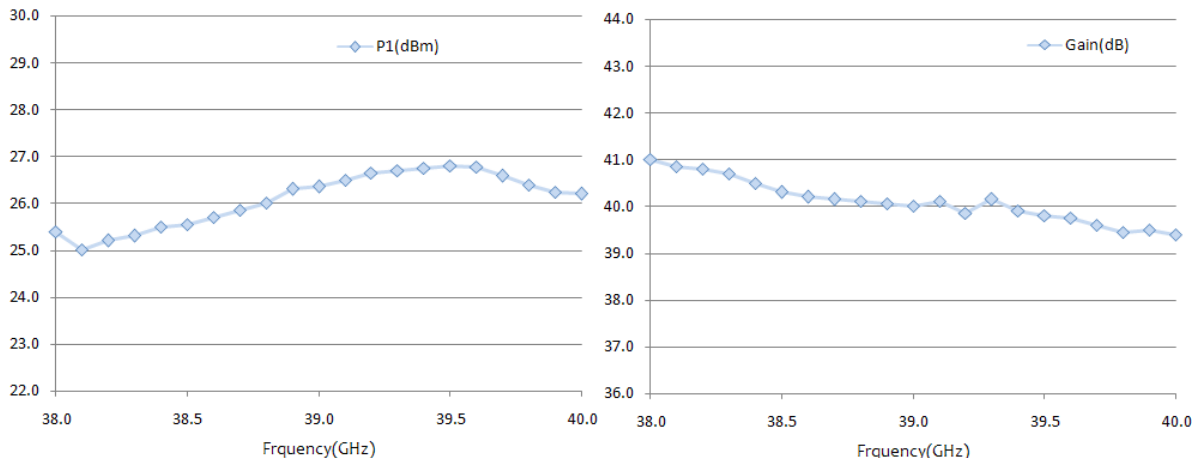
Wide Band Power Amplifier 30GHz~40GHz

- High Gain 40dB
- Applicable for base station, repeaters of cellular network
- Aerospace and military application
- LMDS multi-carrier operation
- High Peak to average handle capability
- High Linearity and low noise figure
- All specifications can be modified upon request



Wide Band Power Amplifier 30GHz~40GHz

Electrical Specifications			
Frequency Range:	38GHz~40GHz	P1dB	+30dBm typ.
Noise Figure:	7.0dB typ. 9.0dB Max	Out IP3:	+34dBm
Gain:	40dB typ.	Output VSWR:	2.0 : 1
Flatness:	+/-1.0dB	Input VSWR:	2.0 : 1
Input Power	-14dBm (Max)	DC Voltage:	+12V/+15V VDC /9A max
Mechanical and Environmental Specifications			
Operation Temperature:	-40°C to 85°C base plate	Mechanical shock	30G, 11mSec half sin wave, 3 axis both directions
Vibration:	14.2g RMS (15-2000Hz) functional	Humidity	95% relative humidity, 65°C 96Hour
	16.2g RMS (15-2000Hz) endurance, 1 hour per axis	MTBF	50000 hour min
Connectors:	2.92mm (K) or WR28 or WR22	Case:	Conductive no paint
	Supply RFI filter solder Pin	Dimension Size (L x W x H):	2.17"×1.50"×0.59" (55×38×15)



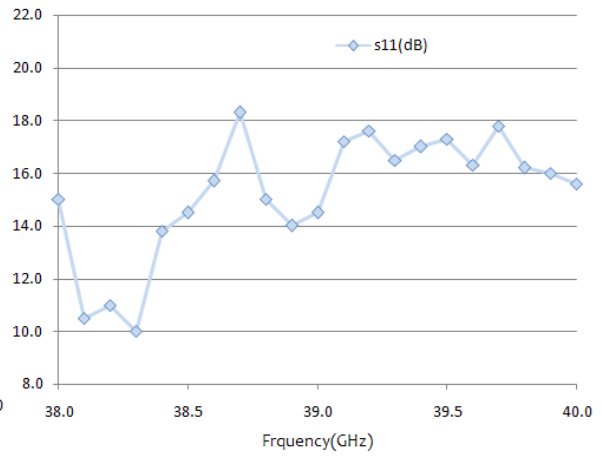
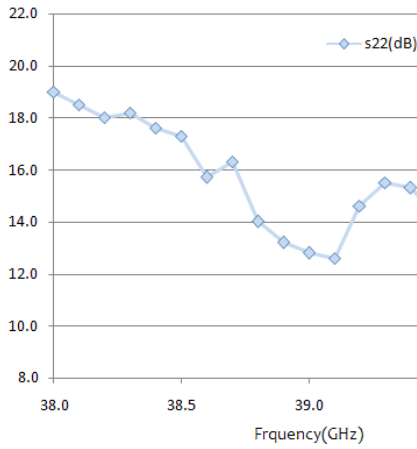


RF-LAMBDA

The power beyond expectations

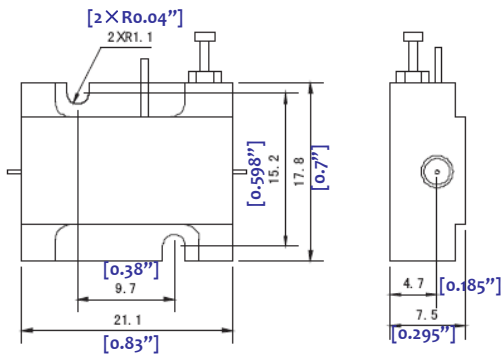
RFLNPA38G40GA

Wide Band Power Amplifier 38GHz~40GHz

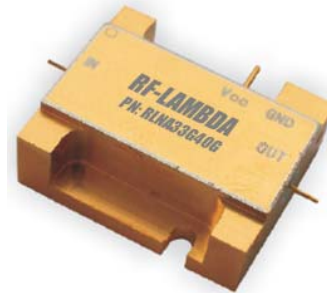


AC model: 110VAC or 220VAC

Heat Sink required during operation.



Drop-in model



Drop-in model

