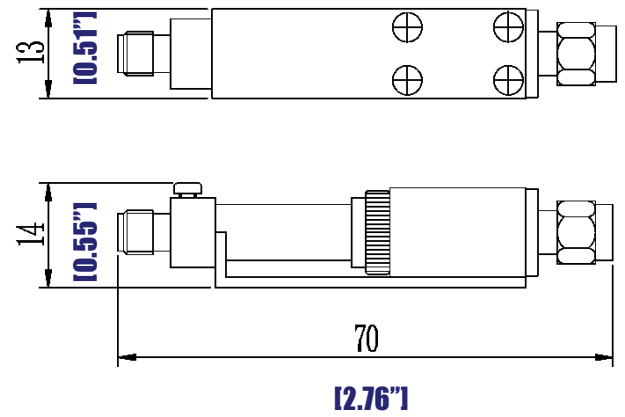


HIGH POWER PHASE SHIFTER

----RFPSHT0009W8



1.0	Mechanical Specifications	
1.1	Coaxial Connector	SMA (Male or Female)
1.2	Size	2.76" x 0.51" x 0.55" (70 x 13 x 14mm)
1.3	Weight	50g
1.7	External Body Finish	Body painted with golden epoxy enamel

3.0	Electrical Specifications				
Part Number	Frequency Rang (GHz)	Insertion Loss (dB)	Phase Adjustment	Max VSWR	CW / Peak Power (W/KW)
RFPSHT0009W8	DC-9	< 1.0	180° ***	1.5	50W CW / 2KW
***Phase Adjustment Range specification ONLY refer to the highest frequency point. Total Phase Adjustment Range is proportion of Frequency range. HALF the frequency range, HALF of the phase adjustment range. (For example 8GHz range 360°, then 4GHz will be 180° total range)					

2.0	Environment specifications	
2.1	Operation Temp.	-10°C~+50°C
2.2	Storage Temp.	-40°C~+70°C
2.3	Altitude	45000 ft
2.4	Vibration	10g rms (15 degree 2KHz)
2.5	Humidity	100% RH at 35c, 95%RH at 40 deg c
2.6	Shock	20G for 11msec

PAGE 1 OF 1

DATE Oct 8th 2006

DESIGN RFPC

RF-LAMBDA RFPC

CAD MODEL REVISION 10

ASSEMBLY REVISION VS52

ASSEMBLY NAME RFLVR07

DRAWING NUMBER D05-A

www.rflambda.com

RFPSHT0009W8 HIGH POWER PHASE SHIFTER

RF-LAMBDA SIZE LT SHEETS 1 OF 1