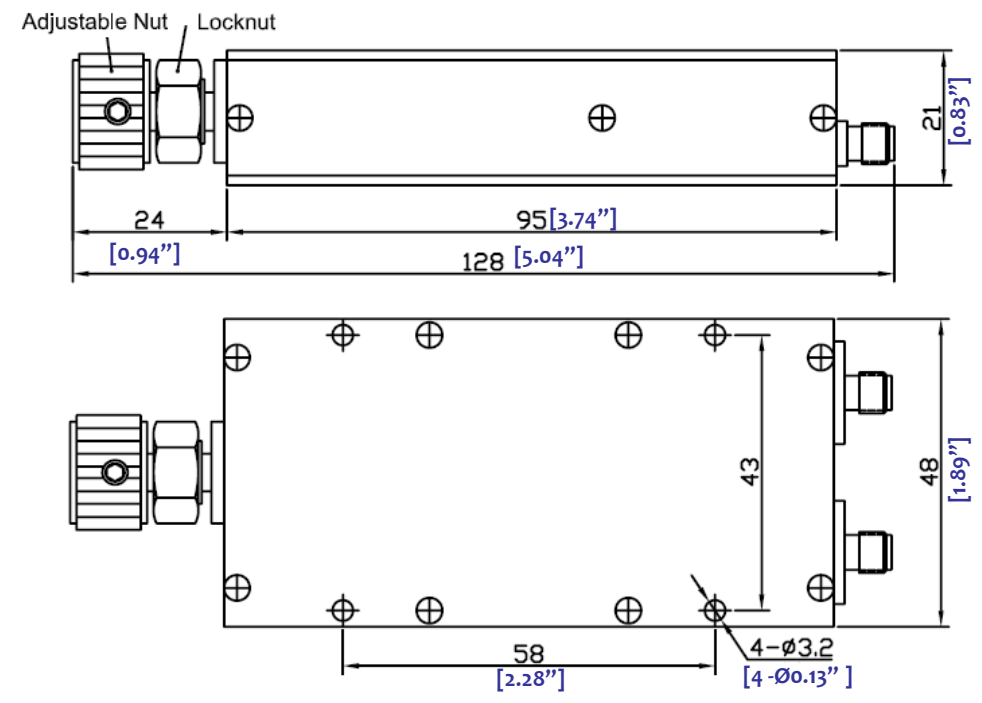


HIGH POWER PHASE SHIFTER TUNER

--- RFPSHT0006W1



1.0	Mechanical Specifications	
1.1	Connector	SMA –Female only
1.2	Size	4.63" x 1.85" x 0.83" (117.5 × 47 × 21mm)
1.3	Weight	160g
1.4	External Finish	Body painted with blue/black epoxy enamel

2.0	Environment specifications	
2.1	Operation Temp.	-10°C~+50°C
2.2	Storage Temp.	-40°C~+70°C
2.3	Altitude	45000 ft
2.4	Vibration	10g rms (15 degree 2KHz)
2.5	Humidity	100% RH at 35c, 95%RH at 40 deg c
2.6	Shock	20G for 11msc

3.0	Electrical Specifications				
Part Number	Frequency (GHz)	Insertion Loss (dB)	Phase Adjustment	Max VSWR	Average / Peak Power (W)
RFPSHT0006W1	DC-6	<1.25	270° ***	1.5	50W / 2KW
***Phase Adjustment Range specification ONLY refer to the highest frequency point. Total Phase Adjustment Range is proportion of Frequency range. HALF the frequency range, HALF of the phase adjustment range. (For example 8GHz range 360°, then 4GHz will be 180° total range)					

PAGE 1 OF 1	DATE Oct 8 th 2006
PROPRIETARY INFORMATION THE INFORMATION CONTAINED IN THIS DOCUMENT IS THE PROPERTY OF RF-LAMBDA EXCEPT AS SPECIFICALLY AUTHORIZED IN WRITING BY RF-LAMBDA. THE HOLDER OF THIS DOCUMENT SHALL KEEP ALL INFORMATION CONTAINED HEREIN CONFIDENTIAL AND SHALL PROTECT SAME IN THE WHOLE OR IN PART FROM DISCLOSURE AND DISSEMINATION OF ALL THIRD PARTIES AND SHALL USE SAME FOR OPERATING AND MAINTENANCE PURPOSES ONLY	DESIGN RFPC
RFPSHT0006W1 HIGH POWER PHASE SHIFTER TUNER	RF-LAMBDA RFPC
www.rflambda.com	CAD MODEL REVISION 10
RF-LAMBDA	ASSEMBLY REVISION V352
SIZE LT	ASSEMBLY NAME RFLVR07
SHEETS 1 OF 1	DRAWING NUMBER D05-A