



RF-LAMBDA

The power beyond expectations

RFLT4W08024

0.8GHz-2.5GHz 4-Way Power Divider



Wide Band Power Divider

Very small package

Excellent phase and amplitude balance

Bi-Directional as divider and combiner *

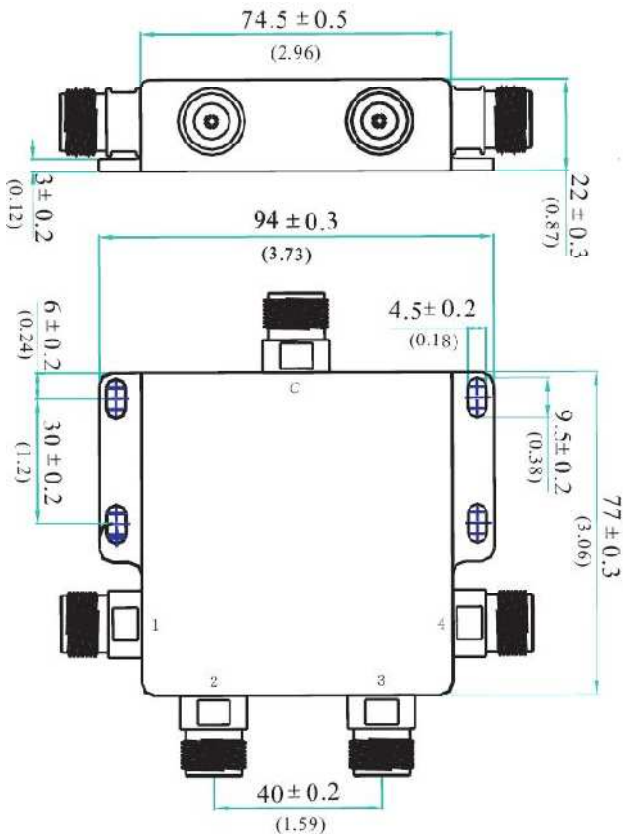
Low Insertion loss and high isolation

Standard: MIL E-5400, MIL E -16400

High power handling capability

Electrical Specifications:

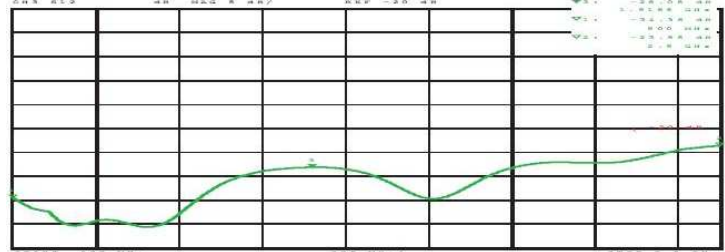
Center Frequency Range:	0.8GHz-2.5GHz
Insertion Loss:	0.7dB
Amplitude Unbalance:	±0.3dB
Isolation:	20dB
Input VSWR:	1.3
Output VSWR:	1.25
Temp. Range:	-40°C~+70°C
Power Handling:	50W (CW)
Connector:	N-F



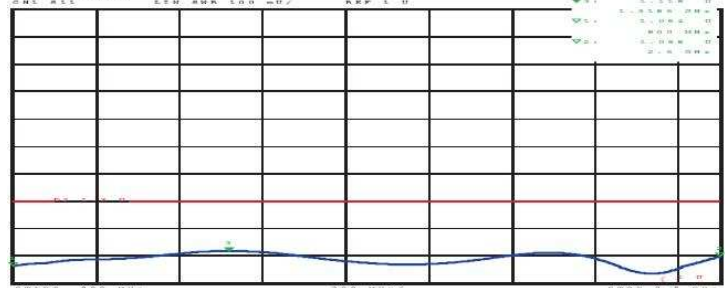
Insertion loss



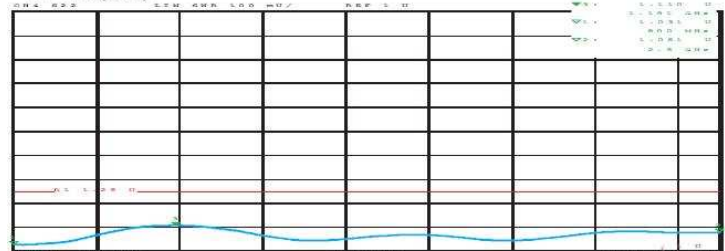
Isolation



VSWR(in)



VSWR(out)



0.8GHz-2.5GHz 4-Way Power Divider