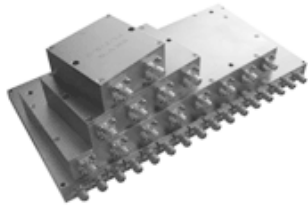




### 1000MHz-1450MHz 16-Way 50Ω Power Divider



#### Wide Band Power Divider

**Very small package**

**Excellent phase and amplitude balance**

**Bi-Directional as divider and combiner \***

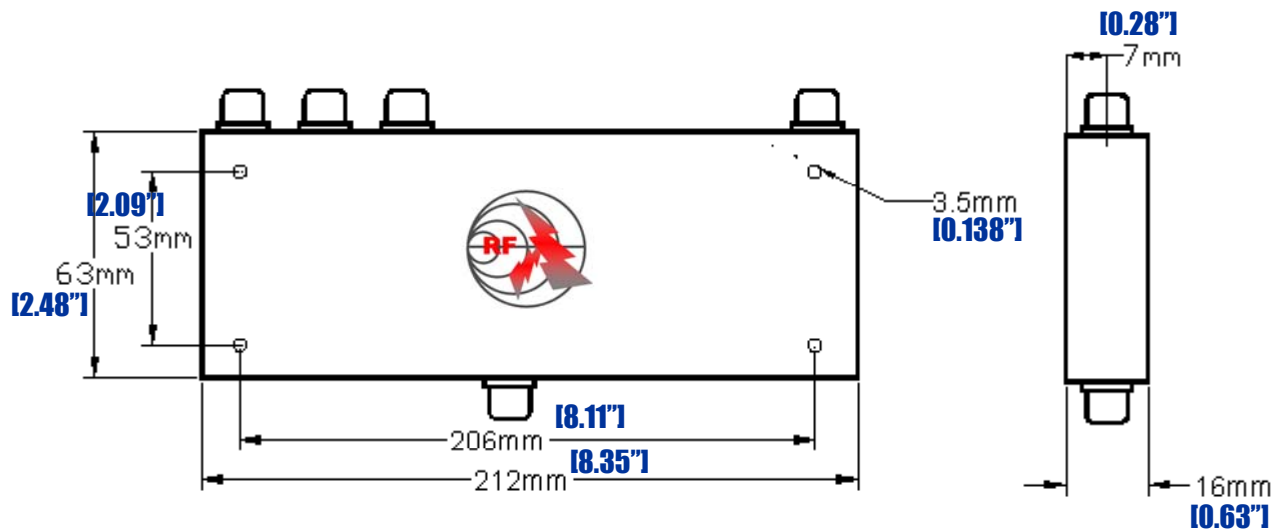
**Low Insertion loss and high isolation**

**Standard: MIL E-5400, MIL E-16400**

**10W forward power handling capability**

**\* 2W maximum input when work as combiner.**

Frequency Range (MHz) f <sub>i</sub> f <sub>o</sub>	Insertion Loss		Isolation			Phase Unbalance			Amplitude Unbalance		
	(dB)		(dB)			(degree)			(dB)		
	L, M	U	L	M	U	L	M	U	L	M	U
	TypMax	TypMax	TypMin	TypMin	TypMin	TypMax	TypMax	TypMax	TypMax	TypMax	TypMax
1000-1450	2.5	2.5	20	15	20	15	15	15	1.5	1.5	1.5



**Notes:**

1. Case material: Aluminum alloy with Nickel-plating.
2. Connector: N/SMA/BNC/TNC...
3. Temperature -40° C~+85° C

1000MHz-1450MHz 16-Way Power Divider