



RF-LAMBDA

The power beyond expectations

MANUAL CONTROL ROTARY CONTINUOUS VARIABLE ATTENUATORS (DC-2GHz 50DB RANGE)

Product description

- Very small package and broadband performance
- Continuous variable attenuation during operation
- Excellent Repeatability and Long Life Switch
- Low Deviation from Nominal Value
- 50Ω impedance standard upon request
- 5W CW average power upon request
- Custom Configurations Available Upon Request.



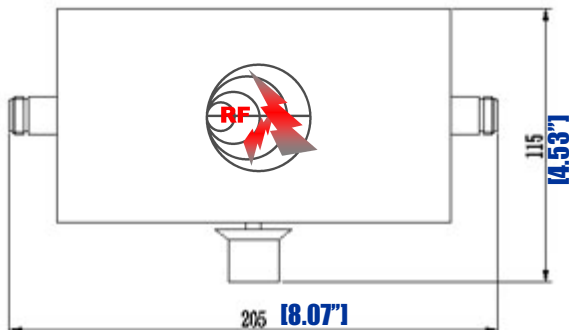
Applications:

Include Communication, 3G, Digital Transmission, Radar, Military, Broadcast & Television, science & Research department etc.

Part Number	Frequency	Power (Watts)	Attenuation Range (dB)	VSWR max.	Insertion Loss (dB)
RKT5G2A50	DC-2GHz	5	10~60(DC-1GHz) 10~50(1~2GHz)	1.50	≤ 10

Connector: SMA / N type is available, weight: 65g

Temperature (Operational): -10° C~+50° C (Storage) -40° C~+70° C



19" X 2U RACK MOUNTING PACKAGE AVAILABLE

PN: **RKT 5 G 2 A 50**

Manual Control Attenuator Power Handle In Watt Freq Unit GHz Freq Number Product Type Attenuation Range

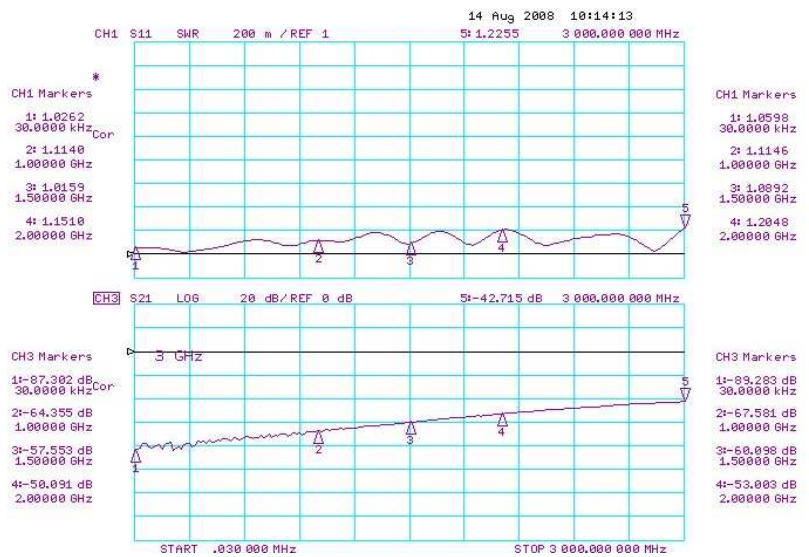
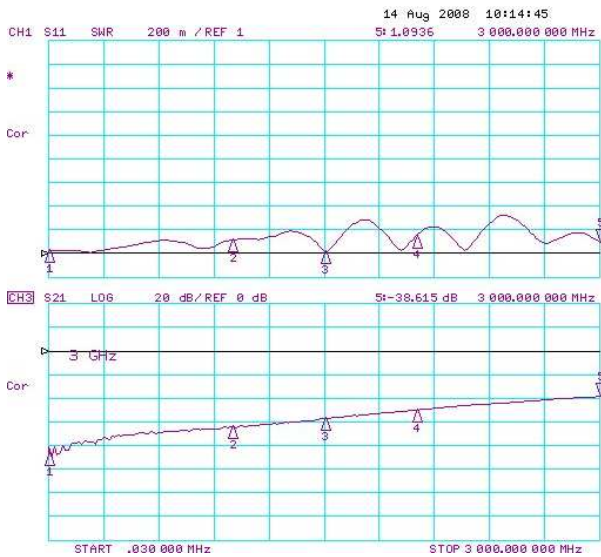
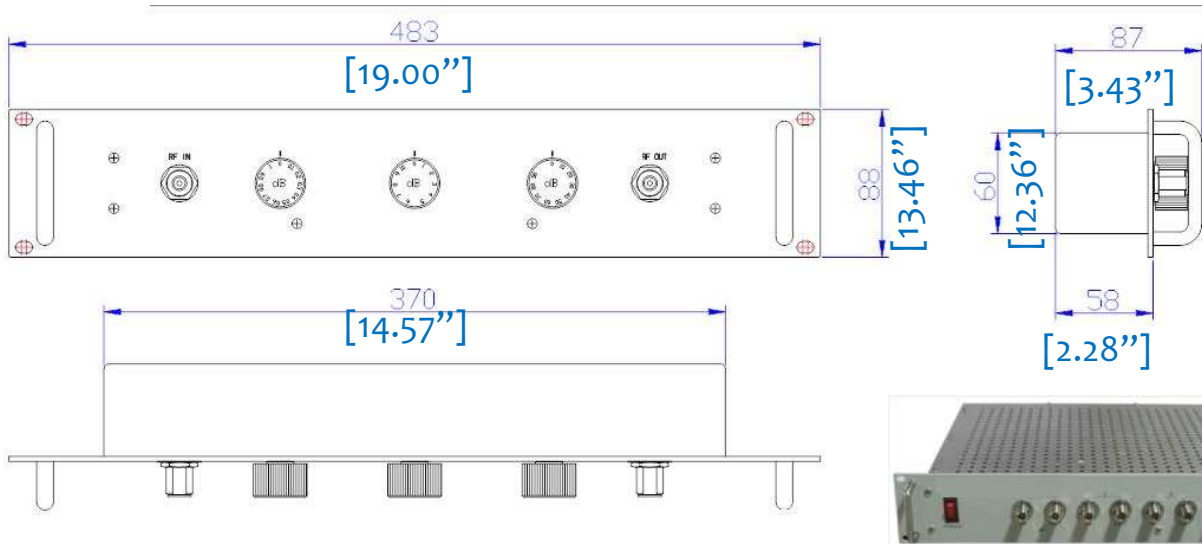
MANUAL CONTROL ROTARY ATTENUATOR (DC-2GH 50DB RANGE)



RF-LAMBDA

The power beyond expectations

19" X 2U RACK MOUNTING PACKAGE AVAILABLE



MANUAL CONTROL ROTARY ATTENUATOR (DC-2GH 50DB RANGE)