



RF-LAMBDA

The power beyond expectations

ROTARY KNOB MANUAL CONTROL STEP ATTENUATOR (0.1-8.0GHZ 90DB RANGE)

Product description

Very small package and broadband performance

Adjustable during operation

Excellent Repeatability low deviation

Low Deviation from Nominal Value

50Ω impedance

Higher power is available upon request

Custom Configurations Available Upon Request.

2W CW average power

Custom Configurations Available Upon Request.



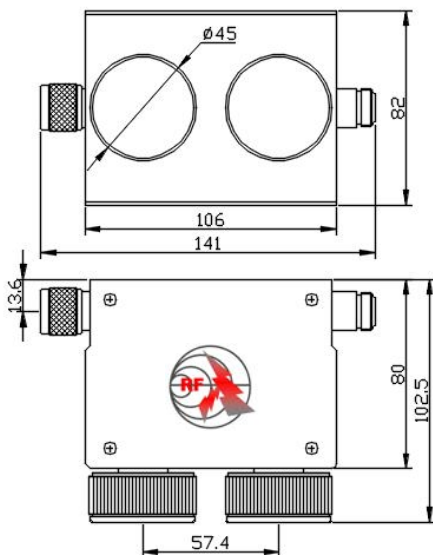
Applications:

Include Communication, 3G, Digital Transmission, Radar, Military, Broadcast & Television, science & Research department etc.

Part Number	Frequency	Power (Watts)	Attenuation Range (dB)	Attenuation Step (dB)	VSWR max.	Insertion Loss (dB)	Accuracy (dB)
RKT2G6A90	0.1-8.0GHz	2	90	1.5	1.60	≤1.25	± 0.5dB(0~9dB) ± 1.0dB(10~19dB) ± 1.5dB(20~49dB) ± 2.0dB(50~69dB) ± 2.5dB or 3.5%(70~99dB)

Connector: N(F,F)type, weight: 1.17Kg

Temperature (Operational): -10° C~+50° C (Storage) -40° C~+70° C



19" X 2U RACK MOUNTING PACKAGE AVAILABLE

PN: **RKT 2 G 6 A 90**

Manual Control Attenuator Power Handle In Watt Freq Unit GHz Freq Number Product Type Attenuation Range

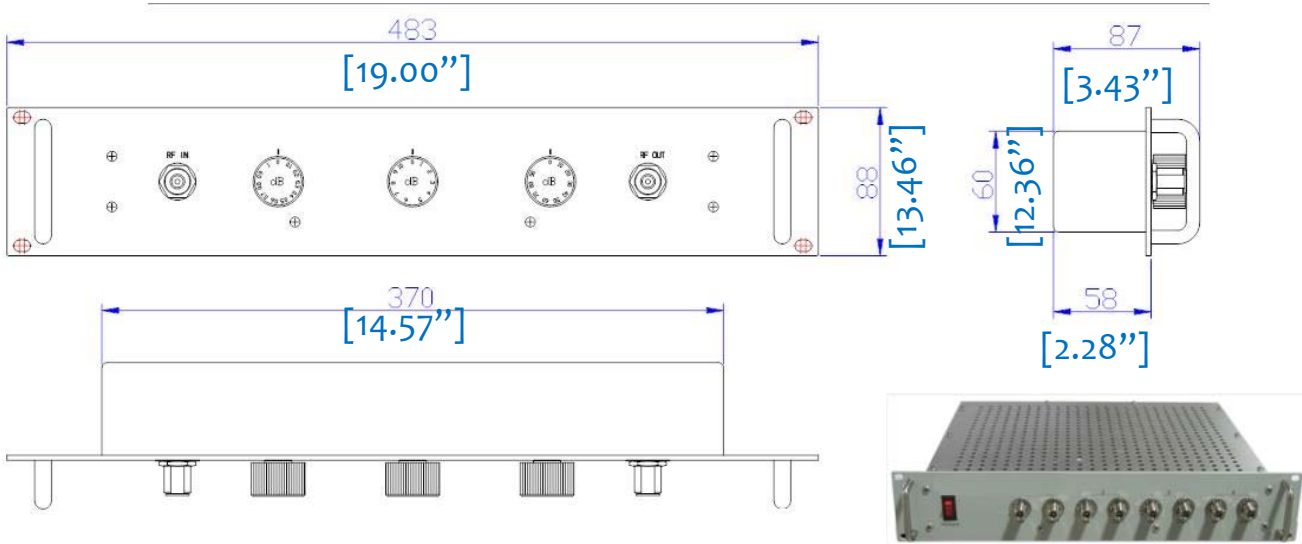
MANUAL CONTROL STEP ATTENUATOR 0.1-8.0GHZ 1dB Step 90DB RANGE



RF-LAMBDA

The power beyond expectations

19" X 2U RACK MOUNTING PACKAGE AVAILABLE



MANUAL CONTROL STEP ATTENUATOR 0.1-8.0GHZ 1DB Step 90DB RANGE