



# RF-LAMBDA

The power beyond expectations

## ROTARY KNOB MANUAL CONTROL STEP ATTENUATOR (DC-12.4GHZ 10DB RANGE)

### Product description

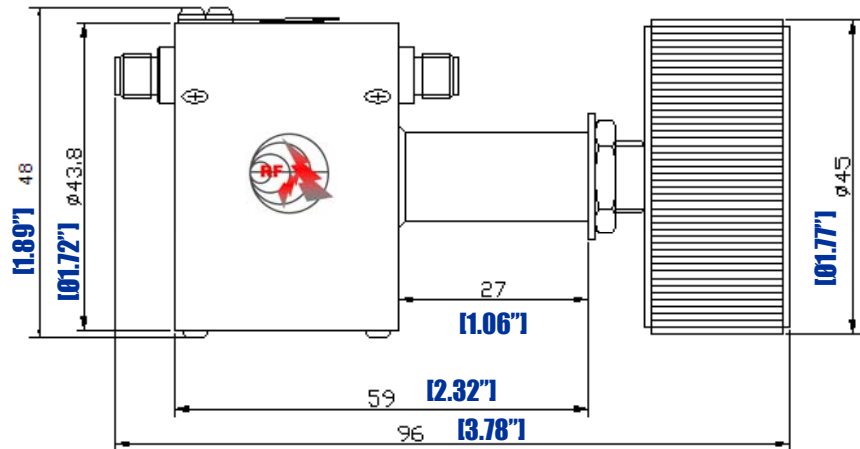
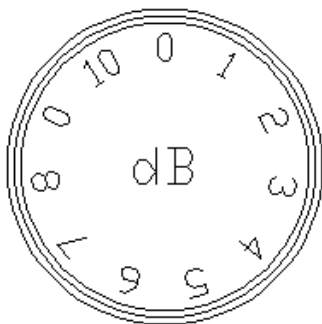
- Very small package and broadband performance
- Adjustable during operation
- Excellent Repeatability low deviation
- Low Deviation from Nominal Value
- 50Ω impedance
- Higher power is available upon request
- Custom Configurations Available Upon Request.
- 2W CW average power
- Custom Configurations Available Upon Request.



### Applications:

Include Communication, 3G, Digital Transmission, Radar, Military, Broadcast & Television, science & Research department etc.

Part Number	Frequency	Power (Watts)	Attenuation Range (dB)	Attenuation Step (dB)	VSWR max.	Insertion Loss (dB)	Accuracy (dB)
RKT2G12A10	DC-12.40	2	10	1.0	1.5	<1.5	+/-0.5dB



PN: **RKT 2 G X A 10**

Manual Control Attenuator  
Power Handle In Watt  
Freq Unit GHz  
Freq Number  
Product Type  
Attenuation Range

Connector: SMA type, weight: 250g

Temperature (Operational): -10° C ~ +50° C (Storage) -40° C ~ +70° C

MANUAL CONTROL ROTARY ATTENUATOR (DC-12.4GHZ 10DB RANGE)