



MANUAL / PROGRAM CONTROLLABLE STEP ATTENUATOR (DC-18GHz 11DB RANGE 1DB STEP)

Product description

- Very small package and broadband performance
- Adjustable during operation
- Excellent Repeatability low deviation
- Low Deviation from Nominal Value
- 50Ω impedance
- Higher power is available upon request
- Custom Configurations Available Upon Request.



Applications:

Include Communication, 3G, Digital Transmission, Radar, Military, Broadcast & Television, science & Research department etc. (Manual Controllable as default, Programmable unit available upon request.)

PN: RKT1G18B11A			
Power (CW)	1W	Power Peak (W)	100W (10us)
Frequency	DC-18GHz	Repeation Error	0.05dB
Attenuation Range	11dB	Attenuation Accuracy	See chart below
Insertion Loss	See chart below	Attenuation Step	1dB
Operational Power *	24V	VSWR	See chart below
Control Current*	100mA	Control Voltage*	3.3~5.0V (5ms~1S)
Switching speed*	<20ms	Source Current*	1A
Connector	SMA-F / N-F	Life type Cycle	10 ⁶ times
Temp (opt.)	-20°C~+70°C	Temp (storage)	-55°C~+85°C
Mechanical Model	6.2''X1.97''X1.61'' 157.5x50x41mm	Programmable Model	5.65''X1.97''X1.63'' 143.5x50x41.5mm
	230g (3 cells) 355g (4 cells)		280g (3 cells) 420g (4 cells)
* Only apply for program controllable model.			

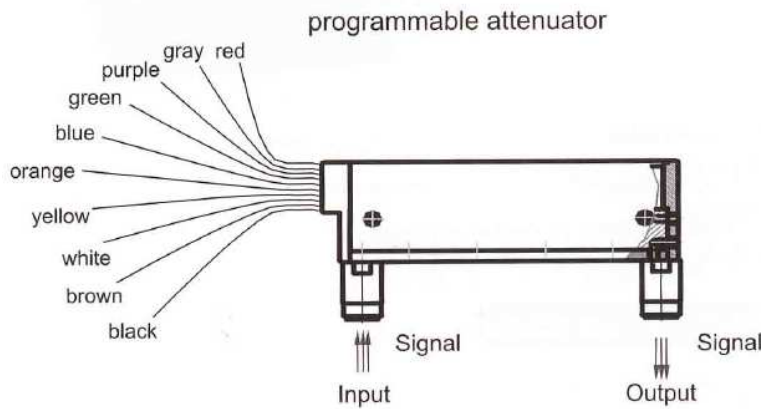
Frequency (GHz)	Attenuation range vs. Accuracy (dB)				VSWR	Insertion Loss (dB)
	11dB	50dB	90dB	110dB		
DC-8	±0.8	±1.6	±3.2	±4.0	1.50	0.6dB+0.09dB/GHz
8-12.4	±0.8	±2.1	±3.2	±4.5	1.00	
12.4-18	±1.0	±2.1	±3.6	±4.5	1.75	



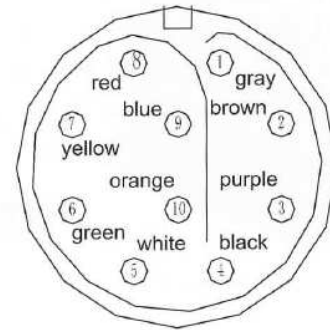
RF-LAMBDA

The power beyond expectations

RKT1G18B11A

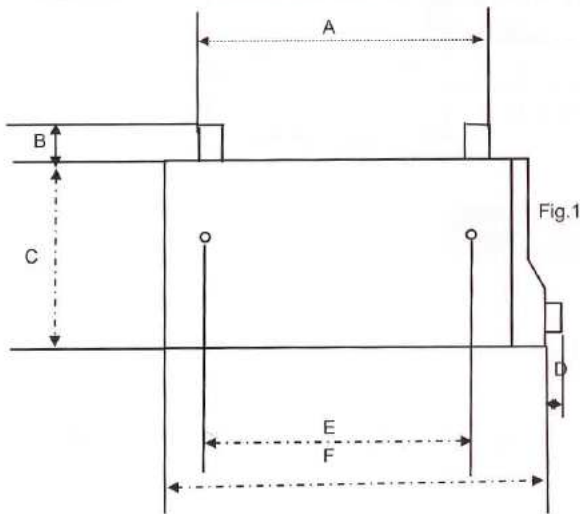


Aviation Receptacle



Attenuation / Status	10 (dB)	40/20 (dB) ※	20 (dB)	40/20 (dB) ※
		1 (dB)	4 (dB)	2 (dB)
Attenuation (NC)	Grey	Purple	Green	Blue
Through (NO)	Brown	White	Yellow	Orange

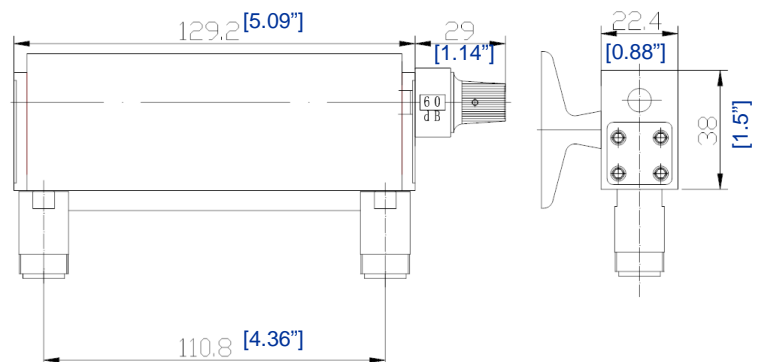
Outline and Installation Size



(mm / inch)	A	B	C	D	E	F
Manual 3 cells	83.5 3.29	8.3 0.33	38 1.496	29.2 1.15	76.1 2.996	108.3 4.26
Manual 4 cells	111.4 4.39	8.3 0.33	38 1.496	29.2 1.15	103.4 4.07	135.8 5.35
Programmable 3 cells	83.5 3.29	8.3 0.33	44.6 1.74	6 0.24	76.1 2.996	108.3 4.26
Programmable 4 cells	111.4 4.39	8.3 0.33	44.6 1.74	6 0.24	103.4 4.07	135.8 5.35

PN: RKT 1 G XX B XX

Manual Control Attenuator | Power Handle In Watt | Freq Unit GHz | Freq Number | Product Type | Attenuation Range



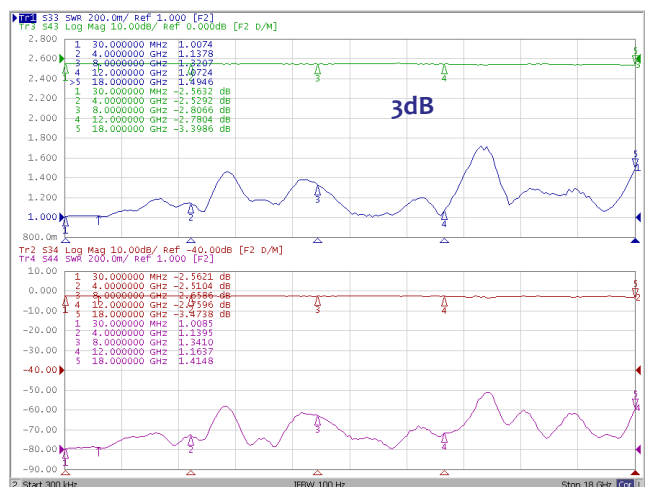
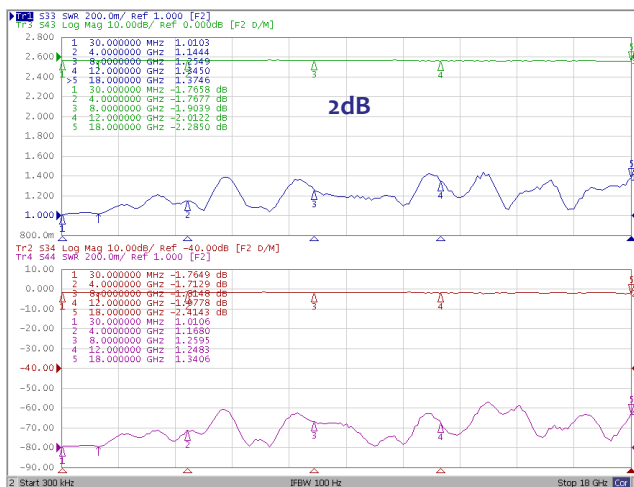
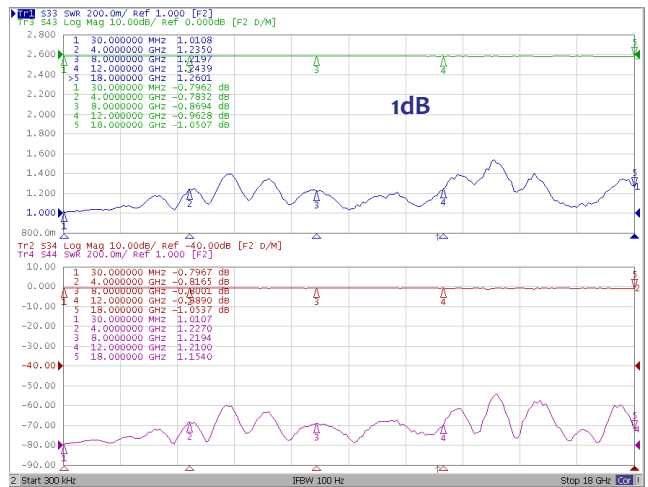
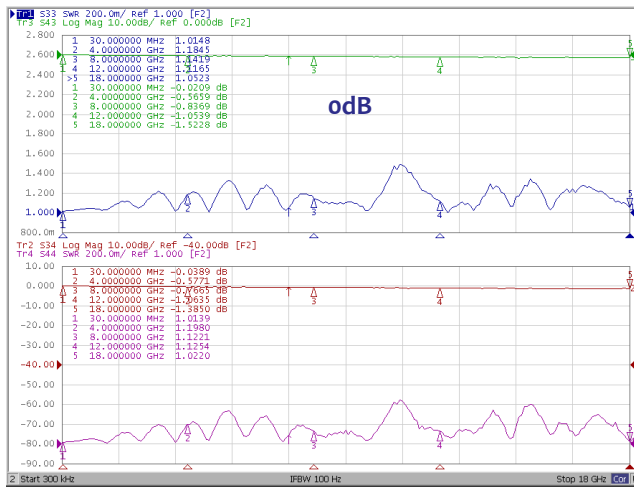
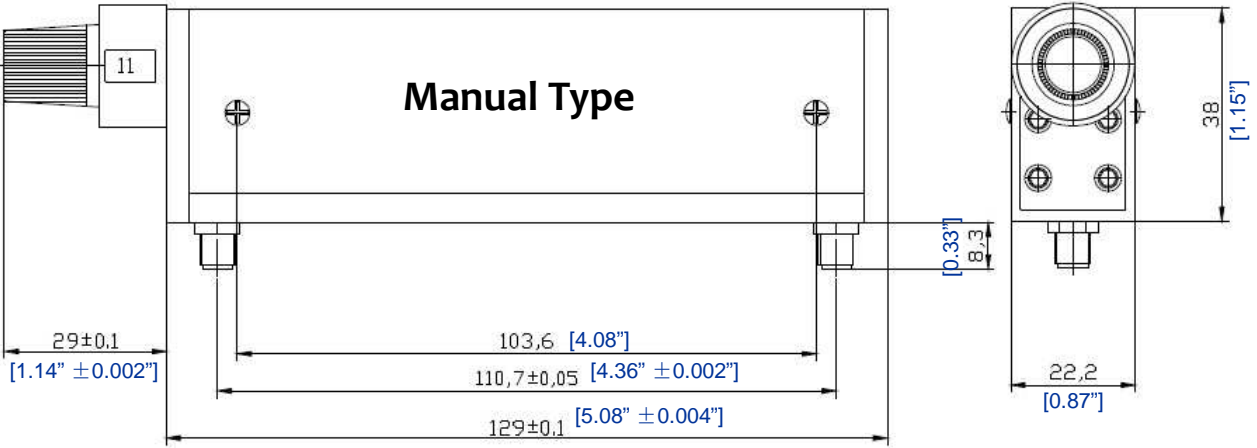
MANUAL / PROGRAMMABLE STEP ATTENUATOR (DC-18GHZ 11DB RANGE 1DB STEP)



RF-LAMBDA

The power beyond expectations

RKT1G18B11A



MANUAL / PROGRAMMABLE STEP ATTENUATOR (DC-18GHZ 11DB RANGE 1DB STEP)



RF-LAMBDA

The power beyond expectations

RKT1G18B11A

MANUAL / PROGRAMMABLE STEP ATTENUATOR (DC-18GHz 11DB RANGE 1DB STEP)

