



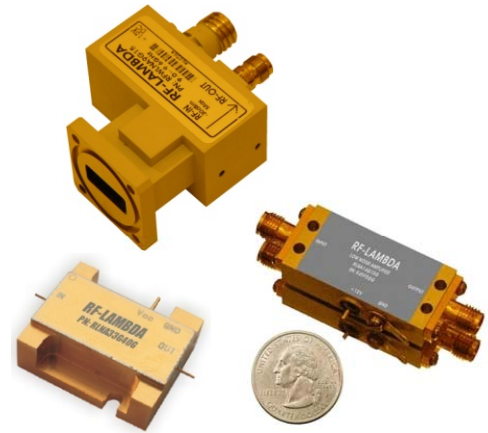
RF-LAMBDA

The power beyond expectations

RLNA26G40GA

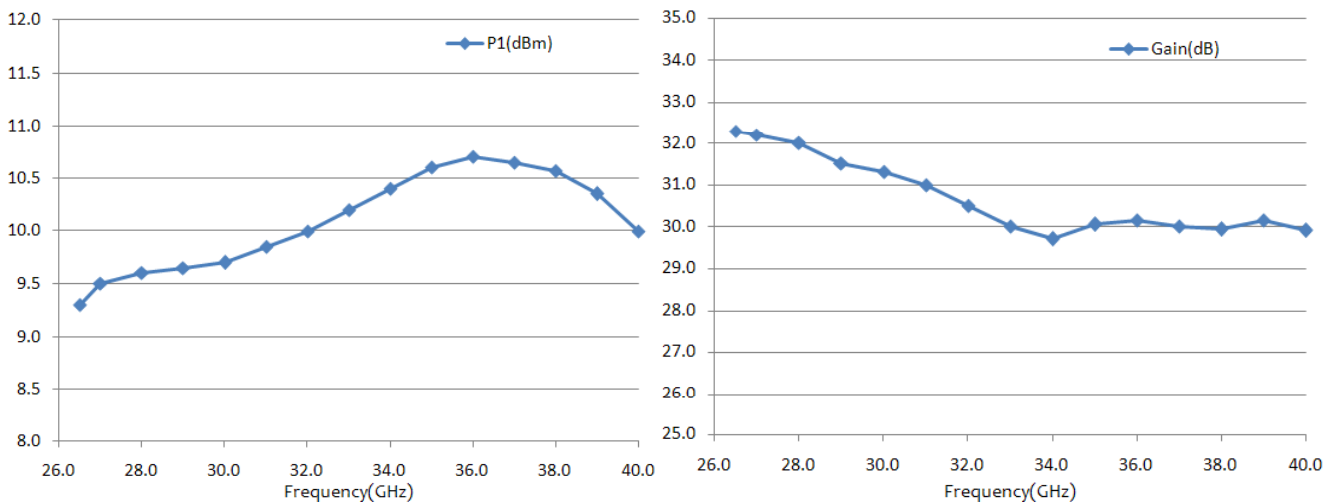
Low Noise Amplifier 26GHz~40GHz

- High Gain 30dB
- Applicable for base station, repeaters of cellular network
- Aerospace and military application
- LMDS multi-carrier operation
- High Peak to average handle capability
- High Linearity and low noise figure
- All specifications can be modified upon request



Electrical Specifications			
Frequency Range:	26.5GHz~40GHz	P1dB	+10dBm typ.
Noise Figure:	3.5dB	Out IP3:	+18dBm
Gain:	30dB typ.	Output VSWR:	2.5 : 1
Flatness:	+/-2.5dB	Input VSWR:	2.5 : 1
Input Power	-12dBm (Max)	DC Voltage:	+12V VDC /400mA max
Mechanical and Environmental Specifications			
Operation Temperature:	-40°C to 85°C base plate	Mechanical shock	30G, 11mSec half sin wave, 3 axis both directions
Vibration:	14.2g RMS (15-2000Hz) functional	Humidity	95% relative humidity, 65°C 96Hour
	16.2g RMS (15-2000Hz) endurance, 1 hour per axis	MTBF	50000 hour min
Connectors:	2.92mm (K) or WR28	Case:	Conductive no paint
	Supply RFI filter solder Pin	Dimension Size (L x W x H):	2.36"×0.79"×0.79" (60×20×20)

Narrow Band Low Noise Amplifier 26.5GHz~40GHz



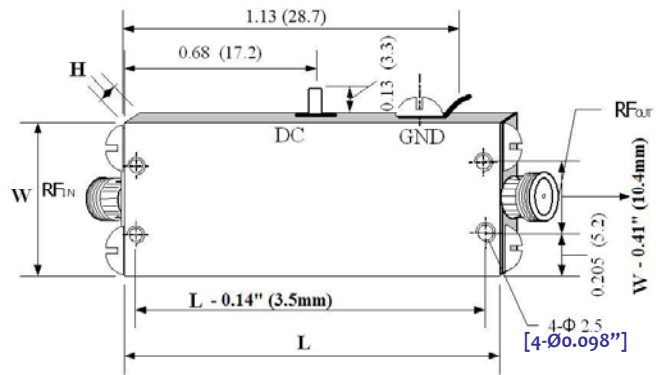
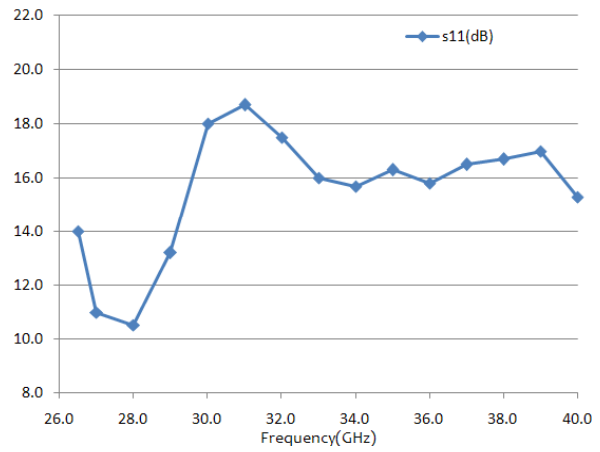
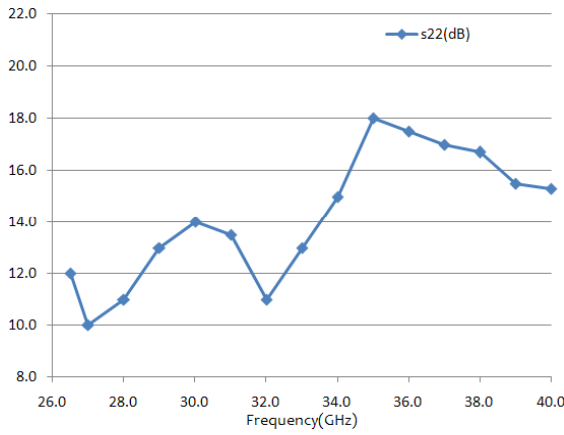


RF-LAMBDA

The power beyond expectations

RLNA26G40GA

Narrow Band Low Noise Amplifier 26.5GHz~40GHz



Heat Sink required during operation.

