

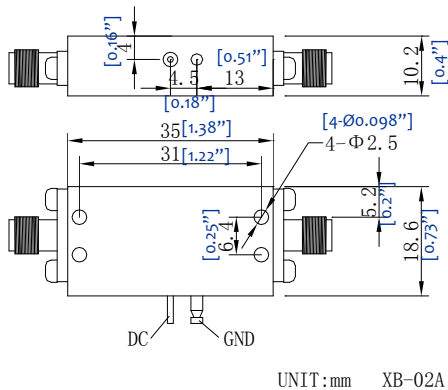


Wide Band Low Noise Amplifier 2.0GHz~4.0GHz

- High Gain 35dB
- Applicable for base station, repeaters of cellular network
- LMDS multi-carrier operation
- Aerospace and military applications
- High Peak to average handle capability
- High Linearity and low noise figure
- All specifications can be modified upon request



Electrical Specifications			
Frequency Range:	2.0GHz-4.0GHz	P1dB	+22dBm
Noise Figure:	2.8dB typ. 4.0dB Max *	Out IP3:	+32dBm
Gain:	35dB	Output VSWR:	1.5 : 1
Flatness:	+/-0.8dB	Input VSWR:	1.5 : 1
Input Power	-13dBm (Max) **	DC Voltage:	+12V/280mA max ***
Mechanical and Environmental Specifications			
Operation Temperature:	-40°C to 85°C base plate	Mechanical shock	30G, 11mSec half sin wave, 3 axis both directions
Vibration:	14.2g RMS (15-2000Hz) functional	Humidity	95% relative humidity, 65°C 96Hour
	16.2g RMS (15-2000Hz) endurance, 1 hour per axis	MTBF	50000 hour min
Connectors:	RF SMA-F Removable	Case:	Conductive no paint
	Supply RFI filter solder Pin	Dimension	As shown



Heat Sink required during operation.

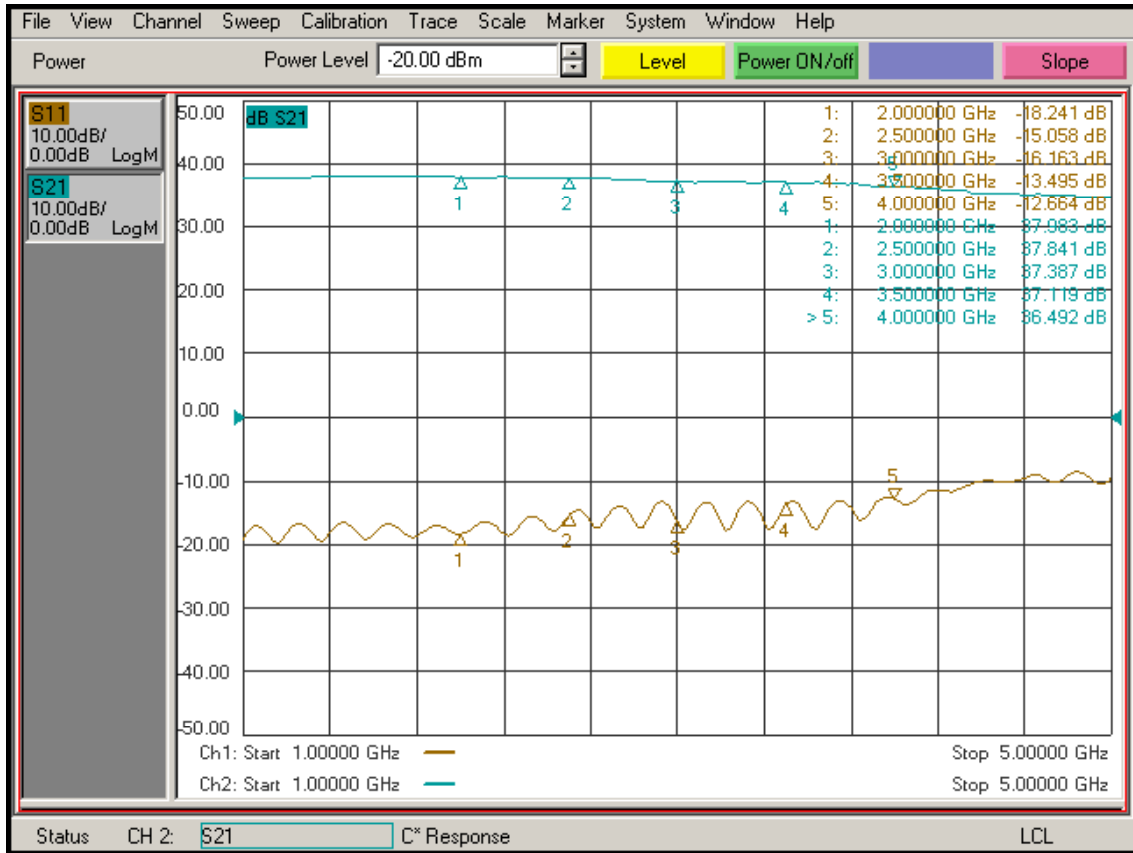
Frequency (GHz)	NF (dB)	P1dB (dBm)	Idd (mA)
1.50	2.90	22.60	180.00
2.00	3.10	22.90	
3.00	3.00	23.70	
4.00	3.20	23.70	
4.50	3.10	22.90	

*Contact manufacture for lower NF solution

** Input over drive protection available upon request

*** DC Reverse protection available upon request

Wide Band Low Noise Amplifier 2.0GHz~4.0GHz



Wide Band Low Noise Amplifier 2.0GHz~4.0GHz