



Ultra Wide Band Low Noise Amplifier

1.0GHz~16GHz

DC +12V Model

AC 110V/220V Model

High Gain 27dB

Applicable for base station, repeaters of cellular network

LMDS multi-carrier operation

Aerospace and military applications

High Peak to average handle capability

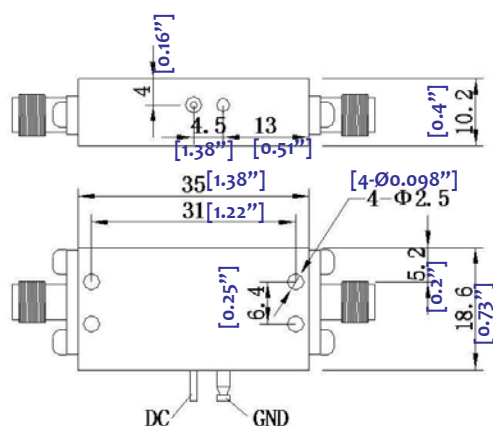
High Linearity and low noise figure

All specifications can be modified upon request



Electrical Specifications			
Frequency :	1.0GHz-16GHz	P1dB	13dBm
Noise Figure:	3.5@8GHz	Out IP3:	23dBm
Gain:	27dB $\Delta G/\Delta T=0.03\text{dB}/^\circ\text{C}$	Output VSWR:	2.0 : 1
Gain Flatness:	+/-2.5dB	Input VSWR:	2.0 : 1
Input Power:	-14dBm(max)	Power DC/AC:	DC type: +12V/220mA max AC Type: 110V AC 60Hz

Heat Sink required during operation



Package : RL-02A

Mechanical Environmental Spec.	
Operation Temperature:	-40°C to 85°C base plate
Vibration:	14.2g RMS (15-2000Hz) functional 16.2g RMS (15-2000Hz) endurance, 1 hour /axis
Connectors:	RF SMA-F / N-F Removable Supply RFI filter solder Pin (or 110V AC power plug)
Mechanical shock	30G, 11mSec half sin wave, 3 axis both directions
Humidity	95% relative humidity, 65°C 96Hour
MTBF	50000 hour min
Case:	Conductive no paint
Dimension (L x W x H):	See Drawing (DC model) 7.87" X 4.72" X 1.00" (AC model)

Ultra Wide Band Low Noise Amplifier 1.0GHz~16GHz