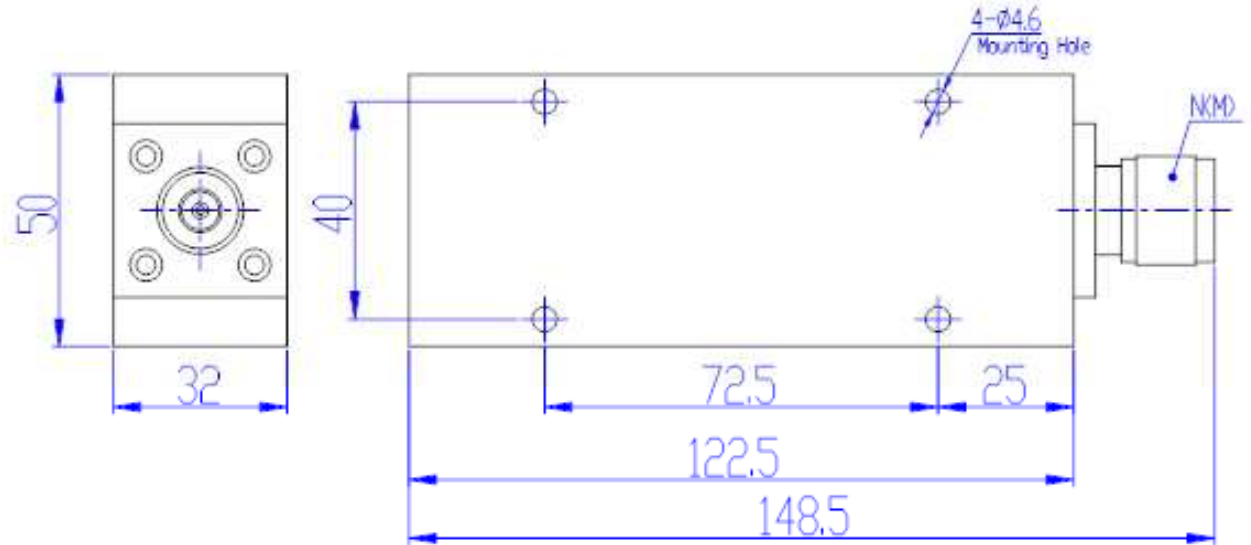


100W HIGH POWER EMBEDDED TERMINATION


--- RFSTB100GXX



1.0 Mechanical Specifications		
1.1	Coaxial Connector	N,SMA
1.2	Weight	0.71kg
1.3	External Body Finish	Body painted with gray/black epoxy enamel

2.0 Environment specifications		
2.1	Operation Temp.	-40°C~+85°C
2.2	Storage Temp.	-55°C~+125°C
2.3	Altitude	42000 ft
2.4	Vibration	10g rms (15 degree 2KHz)
2.5	Humidity	100% RH at 35c, 95%RH at 40 deg c
2.6	Shock	20G for 11msc
2.7	Cooling	FAN required for long time operation

3.0 Electrical Specifications					
PN	Frequency (GHz)	Nominal Impedance	Average Power	Peak Power	VSWR (max.)
RFSTB100G04	DC-4	50Ω	100W	10KW	1.20
RFSTB100G08	DC-8	50Ω	100W	10KW	1.25
RFSTB100G18	DC-18	50Ω	100W	10KW	1.55

PAGE 1 OF 1		DATE JUN 12 th 2009
<small>PROPRIETARY INFORMATION THE INFORMATION CONTAINED IN THIS DOCUMENT IS THE PROPERTY OF RF-LAMBDA EXCEPT AS SPECIFICALLY AUTHORIZED IN WRITING BY RF-LAMBDA. THE HOLDER OF THIS DOCUMENT SHALL KEEP ALL INFORMATION CONTAINED HEREIN CONFIDENTIAL AND SHALL PROTECT SAME IN THE WHOLE OR IN PART FROM DISCLOSURE AND DISSEMINATION OF ALL THIRD PARTIES AND SHALL USE SAME FOR OPERATING AND MAINTENANCE PURPOSES ONLY</small>		DESIGN RFPC
		RF-LAMBDA RFPC
		CAD MODEL REVISION 10
		ASSEMBLY REVISION VS52
 RFSTB100GXX HIGH POWER TERMINATION		ASSEMBLY NAME RFLVR07
www.rflambda.com		DRAWING NUMBER D05-A
RF-LAMBDA	SIZE LT	SHEETS 1 OF 1