



1KW Ultra High Power Termination DC - 8GHz



Features

- Ultra high power 1KW
- Ultra high peak power 5KW
- Wide band operation
- Low VSWR and flat response



Electrical Specifications , $T_A=25\text{ }^\circ\text{C}$

Parameters	Min.	Typ.	Max.	Units
Frequency Range	DC		8	GHz
VSWR			1.30	: 1
CW Power Handling	1			KW
Peak Power Handling	5 *			KW
Connectors	N, 7/16			
Dimension	800x130x130mm			

* Please note, peak power conditions must be checked with the manufacturer when ordering (Peak Power, Pulse Width, Duty Cycle, Operating Duration)

Environmental Specifications

Operational Temperature (°C)	-10 to +50
Storage Temperature (°C)	-40 to +70

1KW Ultra High Power Termination DC - 8GHz

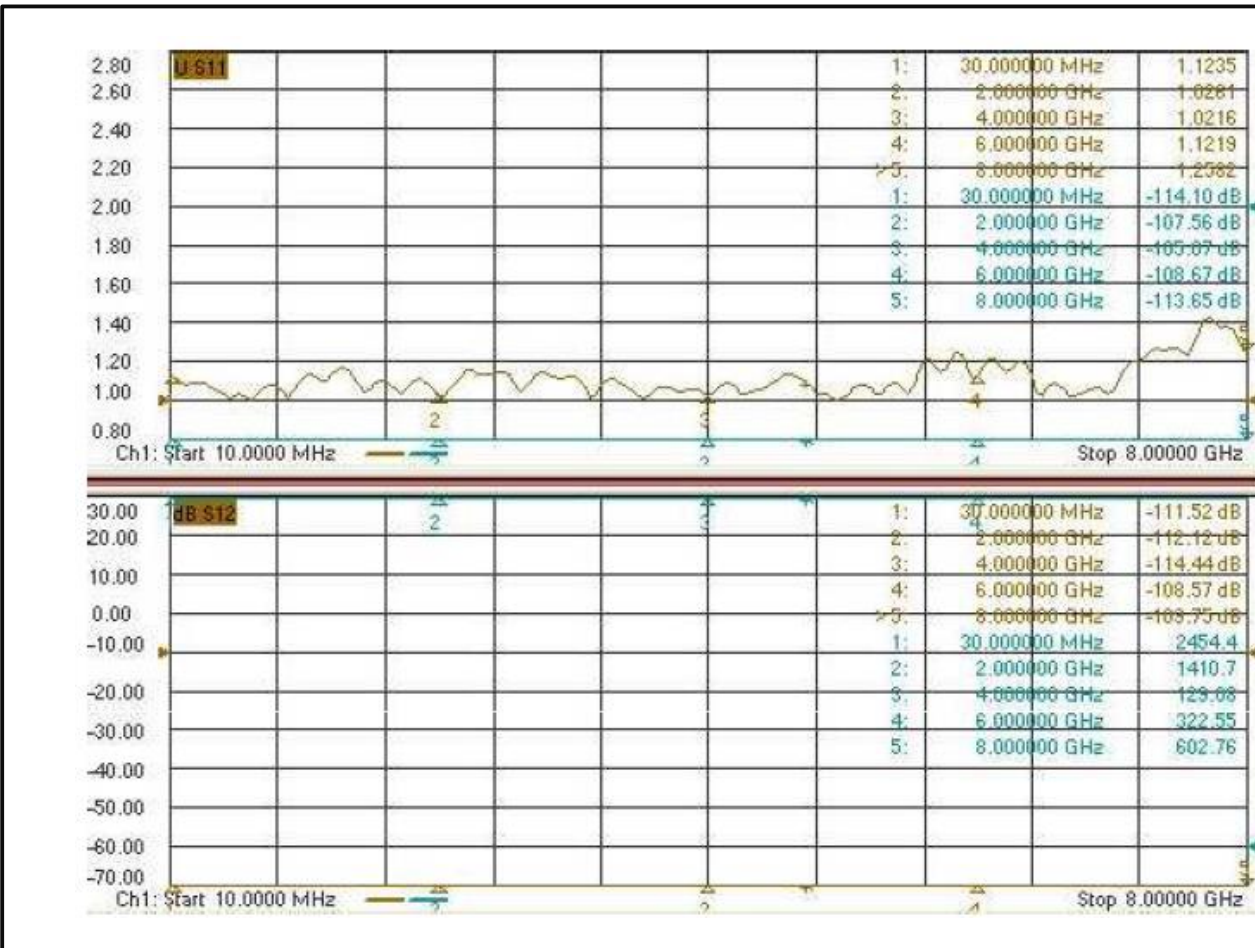


Operating Instructions

1. Connect input to 50Ω impedance system.
2. Turn on air cooling FAN and verify the FAN is working properly.
3. Turn on system power. If possible, start from lower power, and increase the power step by step.
4. Before disconnecting, turn off the RF input power.
5. Keep the air cooling FAN running until the case returns to room temperature.
6. One time operation should not exceed 1 hour at maximum CW power.

WARNING

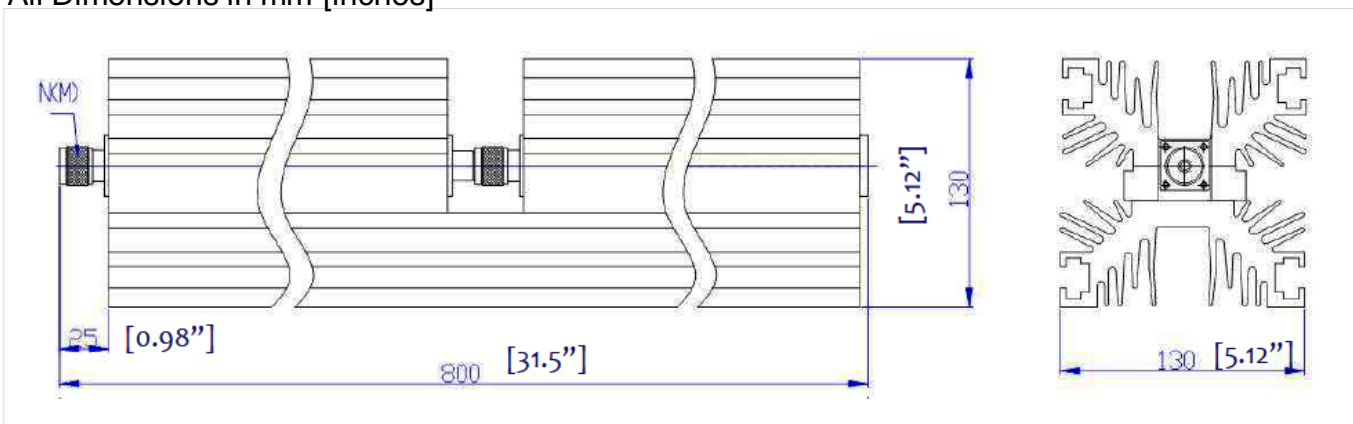
1. The unit is designed for Indoor applications only. Prevent all shock, vibration and humidity.



1KW Ultra High Power Termination DG - 8GHz

Outline Drawing:

All Dimensions in mm [inches]



Important Notice

The information contained herein is believed to be reliable. RF-Lambda makes no warranties regarding the information contained herein. RF-Lambda assumes no responsibility or liability whatsoever for any of the information contained herein. RF-Lambda assumes no responsibility or liability whatsoever for the use of the information contained herein. The information contained herein is provided "AS IS, WHERE IS" and with all faults, and the entire risk associated with such information is entirely with the user. All information contained herein is subject to change without notice. Customers should obtain and verify the latest relevant information before placing orders for RF-Lambda products. The information contained herein or any use of such information does not grant, explicitly or implicitly, to any party any patent rights, licenses, or any other intellectual property rights, whether with regard to such information itself or anything described by such information. RF-Lambda products are not warranted or authorized for use as critical components in medical, life-saving, or life sustaining applications, or other applications where a failure would reasonably be expected to cause severe personal injury or death.