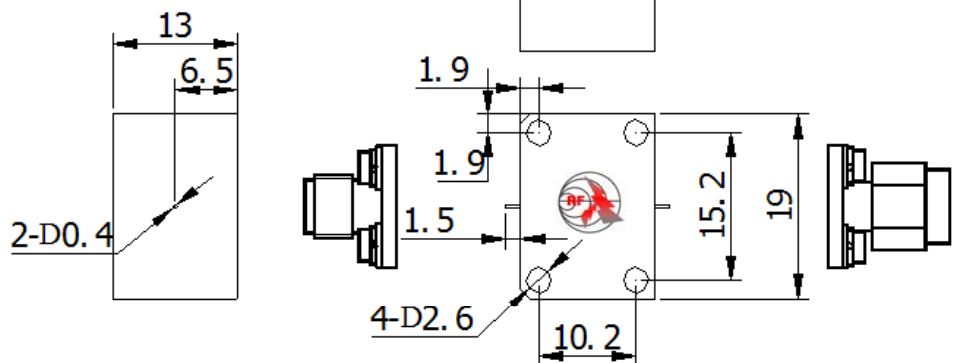
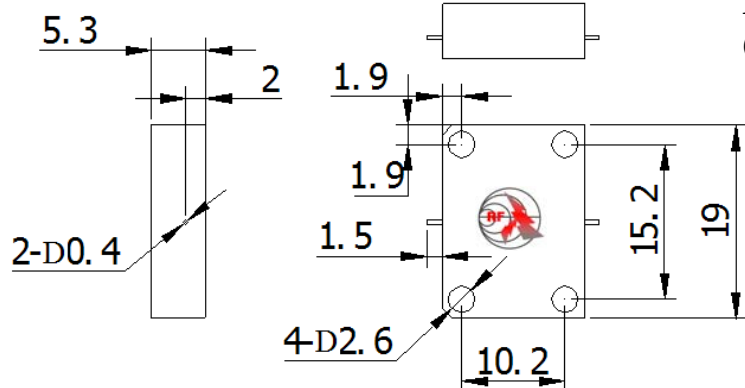


Package A (SMA Removable)



Package B (Drop-in)




HIGH PEAK POWER LIMITER

--- RFPLT06G06G

3.0	Electrical Specifications	
3.1	Frequency Range	5.44GHz±50MHz
3.2	VSWR	1.30 : 1 Max
3.3	Insertion Loss	0.7dB (max.)
3.4	Flat Leakage CW	20dBm
3.5	Input Power	250W Peak / 5W CW
3.6	Peak Power Character	Pulse Width 1~20us Pulse Repeat Rate: 100Hz~1500Hz Off period between two pulse: 3ms

1.0	Mechanical Specifications	
1.1	Mounting Holes	Through
1.2	Input Connector	SMA-Female (Package A Only)
1.3	Output Connector	SMA-Male (Package A Only)
1.4	External Body Finish	Gold plating conductive no paint.
1.5	Drawing unit	mm

2.0	Environment specifications	
2.1	Operation Temp.	-40°C~+85°C
2.2	Storage Temp.	-60°C~+125°C
2.3	Heat Sink	HEAT SINK MUST BE ATTACHED DURING OPERATION TO MAINTAIN TEMP. SPECIFICATION AND AVOID SHORT TERM TEMP BREAK DOWN

PAGE 1 OF 1		DATE Aug 11TH 2006
 RFPLT06G06G HIGH POWER WIDE BAND LIMITER		DESIGN RFAC
		RF-LAMBDA RFAC
		CAD MODEL REVISION 03
		ASSEMBLY REVISION VS01
www.rflambda.com		ASSEMBLY NAME RFLVR01
RF-LAMBDA		DRAWING NUMBER D01-1
SIZE LT	SHEETS 1 OF 1	