



ACTIVE POWER LIMITER 5W 100-500MHZ

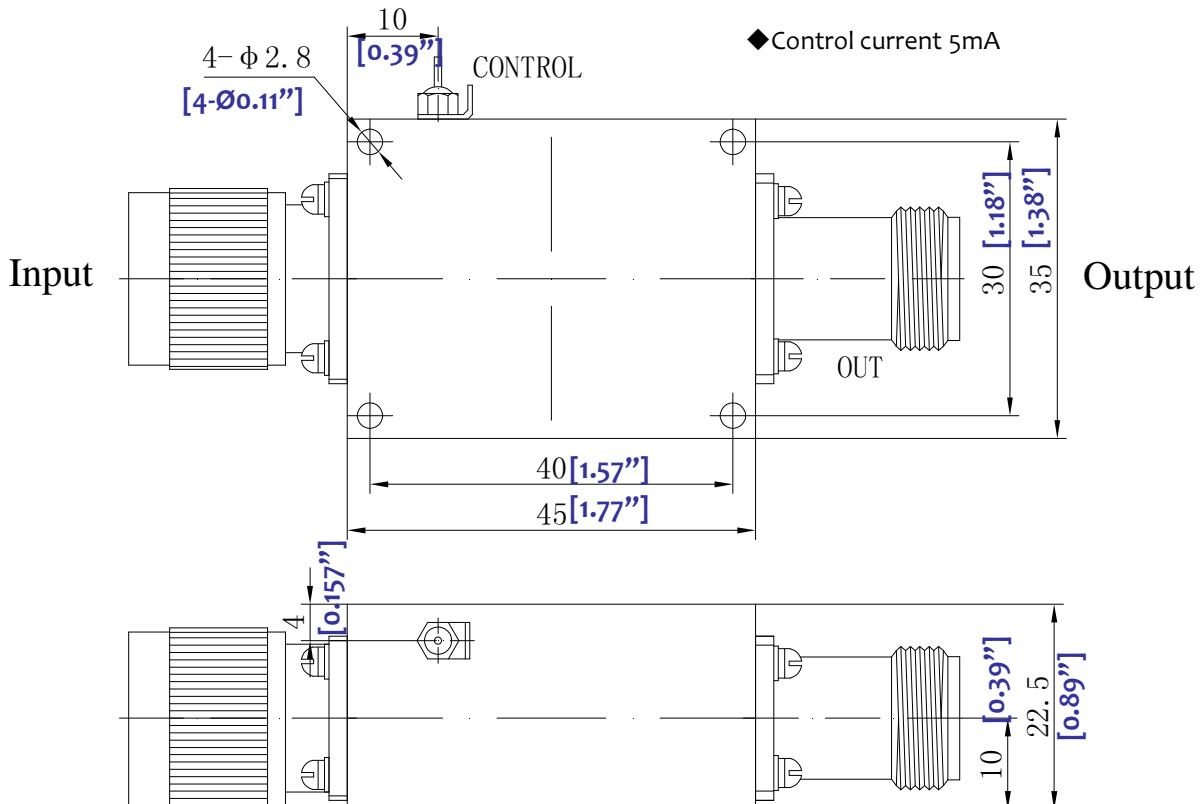


- Low Insertion Loss
- Wide band operation
- Fast Power Circuit Protection
- Custom Designs Available
- High CW Power Handling up to 50W CW
- May Available as Modules or connectorized Units

| No. | Parameter | Minimum | Typical | Maximum | Units |
|-----|-----------------|---------------------|---------|---------|-------|
| 1 | Frequency range | 100 | | 500 | MHz |
| 2 | Flat Leakage | | | -10 | dBm |
| 3 | Insertion Loss | | | 1.0 | dB |
| 4 | VSWR | | | 1.5 | |
| 4 | Average Power | | | 5 | WCW |
| 5 | Biasing | | +5 | | V |
| 6 | Operating | -30 | | +55 | °C |
| 7 | Finish | Conductive Oxidated | | | |

Electrical Specifications:

- ◆ Connector: SMA-Female or N-Female
- ◆ Control current 5mA



Active power limiter 100-500MHz



RF-LAMBDA

The power beyond expectations

RFPLT01M05M

Active power limiter 100-500MHz

| S/N | Parameter | 225MHz | 312.5MHz | 400MHz |
|-------|-----------|-------------------|-------------------|-------------------|
| | | Flat leakage(dBm) | Flat leakage(dBm) | Flat leakage(dBm) |
| 63056 | | -11.9 | -11.2 | -11.12 |
| 63057 | | -11.9 | -11.6 | -11.6 |
| 63058 | | -12.1 | -11.7 | -11.5 |
| 63059 | | -12.1 | -11.7 | -11.5 |
| 63060 | | -12.5 | -12.2 | -12.2 |
| 63061 | | -11.6 | -11.3 | -11.0 |
| 63062 | | -11.5 | -11.3 | -11.1 |
| 63063 | | -11.8 | -11.6 | -11.6 |
| 63064 | | -12.2 | -12.0 | -11.8 |
| 63065 | | -12.7 | -12.2 | -12.0 |
| 63066 | | -12.4 | -12.1 | -11.7 |
| 63067 | | -12.1 | -11.7 | -11.5 |
| 63068 | | -12.8 | -12.5 | -12.3 |
| 63069 | | -12.1 | -11.7 | -11.5 |
| 63070 | | -11.6 | -11.2 | -11.2 |
| 63071 | | -11.9 | -11.2 | -11.2 |
| 63072 | | -12.4 | -11.9 | -11.6 |
| 63073 | | -13.3 | -13.0 | -12.8 |
| 63074 | | -12.5 | -12.0 | -11.7 |
| 63075 | | -12.0 | -12.0 | -11.6 |
| 63076 | | -12.1 | -11.5 | -11.3 |