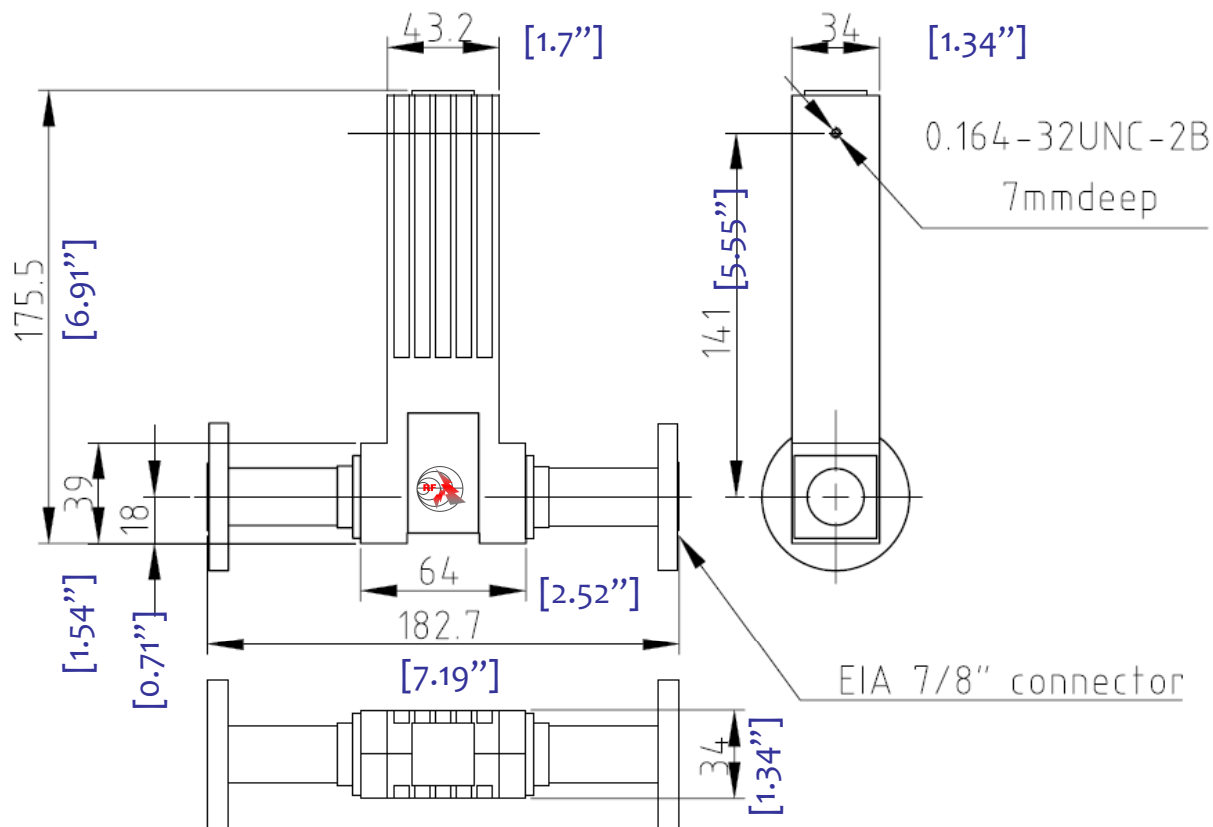
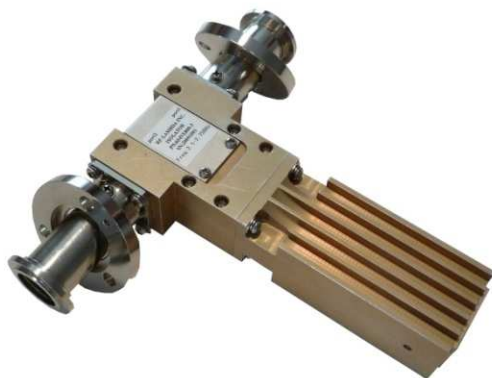


HIGH POWER ISOLATOR


--- RFLI-305-3



1.0	Mechanical Specifications	
1.1	Coaxial Connector	EIA 7/8"
1.2	External Finish	Nickel plating

3.0	Electrical Specifications	
3.1	Frequency	2.1GHz~2.75GHz
3.2	Bandwidth	250MHz (anywhere)
3.3	VSWR	1.50:1 (max.)
3.4	Insertion Loss	0.3dB
3.5	Isolation	20dB
3.6	Power	500W (CW) / 20KW Peak
3.7	Peak Power	4 microseconds. maximum duty cycle .003 @20 Kilowatts peak.

2.0	Environment specifications	
2.1	Operation Temp.	-0°C~+55°C
2.2	Storage Temp.	-40°C~+70°C
2.3	Altitude	45000 ft
2.4	Vibration	MIL-STD-167-1A Table III
2.5	Humidity	MIL-STD-810F, Method 507.4 B3
2.6	Shock	MIL-STD-810F Method 516.5 ±30g, 25ms Half Sine ±12g, 25ms Half Sine
2.7	Radiated Emissions	70dBi max
2.8	Applied Std	Mil-Std-202

PAGE 1 OF 1	DATE sep 20 th 2009
<small>PROPRIETARY INFORMATION THE INFORMATION CONTAINED IN THIS DOCUMENT IS THE PROPERTY OF RF-LAMBDA EXCEPT AS SPECIFICALLY AUTHORIZED IN WRITING BY RF-LAMBDA. THE HOLDER OF THIS DOCUMENT SHALL KEEP ALL INFORMATION CONTAINED HEREIN CONFIDENTIAL AND SHALL PROTECT SAME IN THE WHOLE OR IN PART FROM DISCLOSURE AND DISSEMINATION OF ALL THIRD PARTIES AND SHALL USE SAME FOR OPERATING AND MAINTENANCE PURPOSES ONLY</small>	
 RFLI-305-3 HIGH POWER ISOLATOR	
DESIGN RFPC	CAD MODEL REVISION 21
RF-LAMBDA RFPC	ASSEMBLY REVISION VS52-A
	ASSEMBLY NAME RFLVR18
	DRAWING NUMBER D05-2
www.rflambda.com	SIZE LT SHEETS 1 OF 1