



RF-LAMBDA

The power beyond expectations

RSHB01G02GV



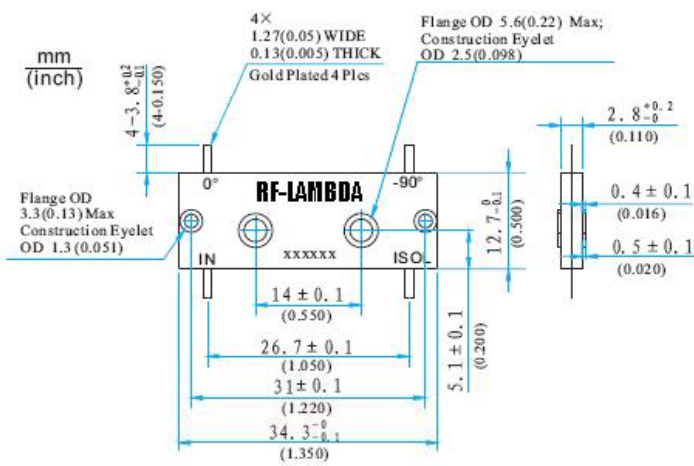
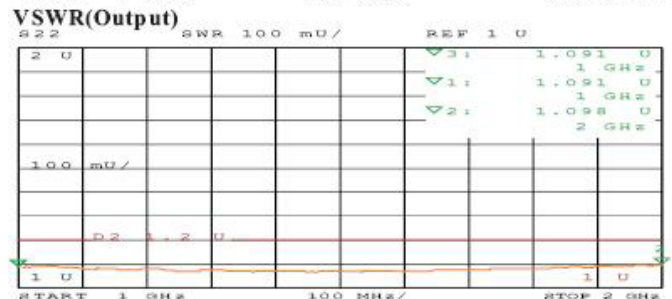
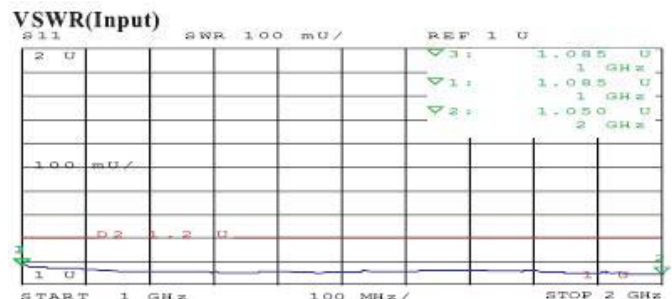
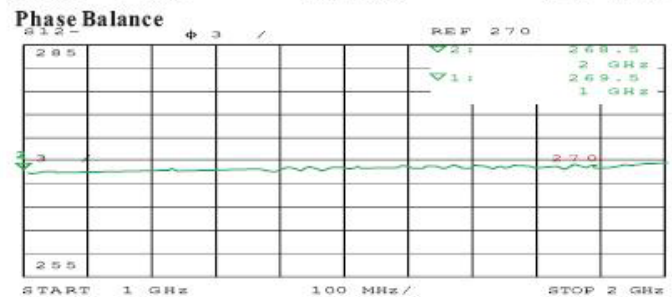
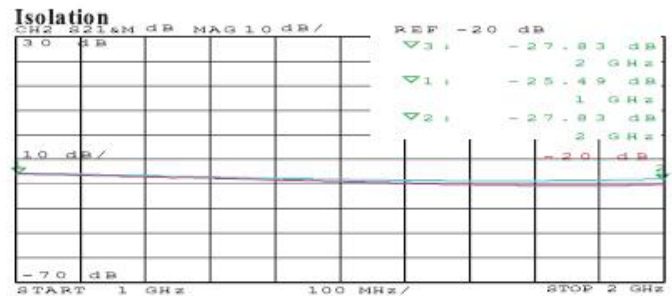
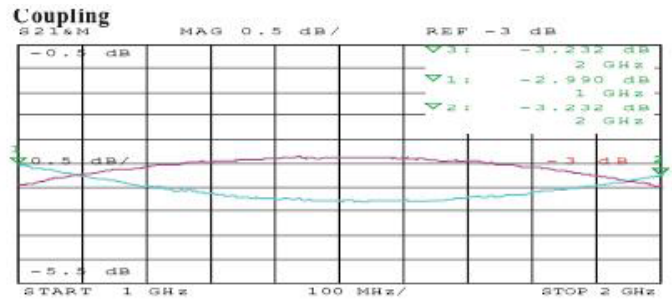
100W 1.0-2.0GHz 90° Hybrid Coupler

Summary:

- . High power operational up to 200W CW
- . Small compacted package
- . Wide bandwidth, flat frequency response
- . MIL-E-5400 standard

Electrical and Environmental Specifications:

Frequency Range:	1.0-2.0GHz
Insertion Loss:	0.30B
Isolation:	18dB
Amplitude Unbalance:	±0.5dB
Phase unbalance:	±2.0 degree
Power:	100W CW
VSWR:	1.25 : 1
Operational Temp. Range:	-55°C~+100° C
Storage Temp. Range:	-55°C~+125° C



Surface Mount 100W 1.0-2.0GHz 90° Hybrid Coupler