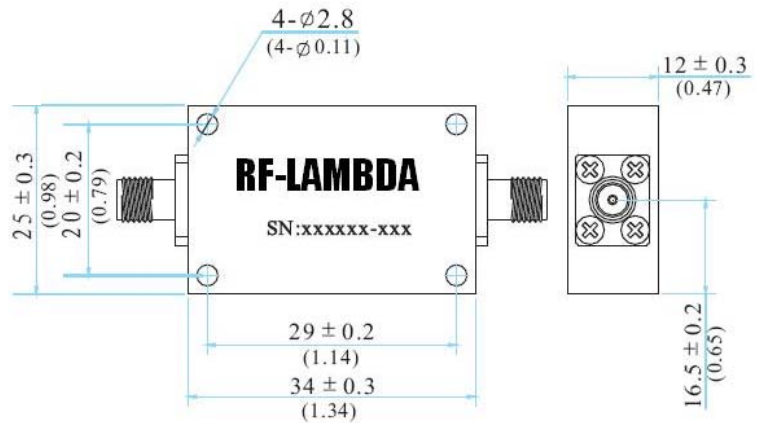




## SSS HIGH PASS FILTER 4-12GHz

### Summary:

- SSS Filter - Suspended Substrate Stripline Filter
- Flat frequency response and low insertion loss..
- Covers the 1 GHz to 18 GHz Frequency Range
- Wide bandwidth and 3 dB BW Available from 5-50% ( $f_0$ )
- Designs that Cover up to 40 GHz Also Available
- MIL-E-5400 standard

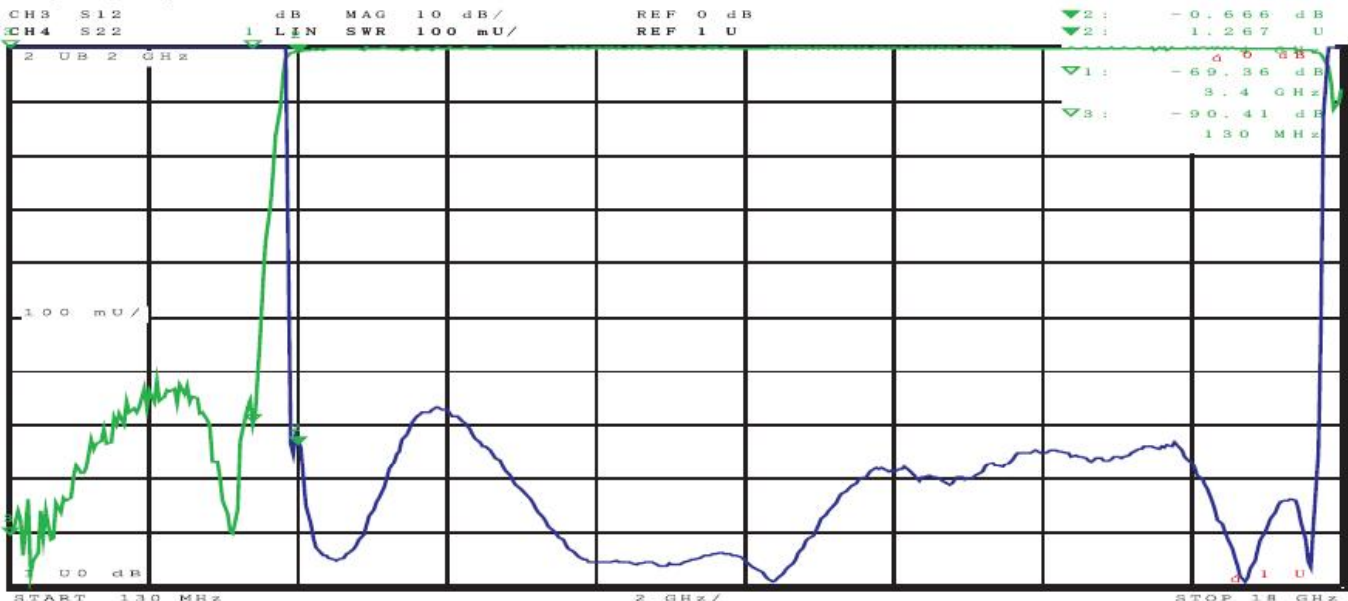


### Environmental Specifications:

Operational Temp. Range: -55°C~+85°C  
 Storage Temp. Range: -55°C~+100°C

| Pass Band (GHz) | Insertion Loss (dB) | VSWR | Stop Band (GHz) | Rejection (dB) | Connector | Power (W) |
|-----------------|---------------------|------|-----------------|----------------|-----------|-----------|
| 4-12            | 1.00                | 1.80 | DC-3.4          | 50             | SMA-F     | 15        |

### Frequency Response and VSWR



High Pass Suspended Substrate Stripline Filter 4-12GHz