



Features:

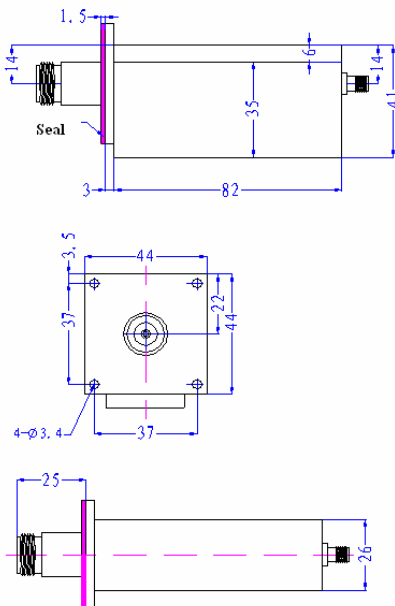
1. Specially designed for 3G TD-SCDMA base station
2. Conforms to ITU technical standards
3. Effectively reject WCDMA signal
4. High Power Capability

Application:

TDSCDMA repeater

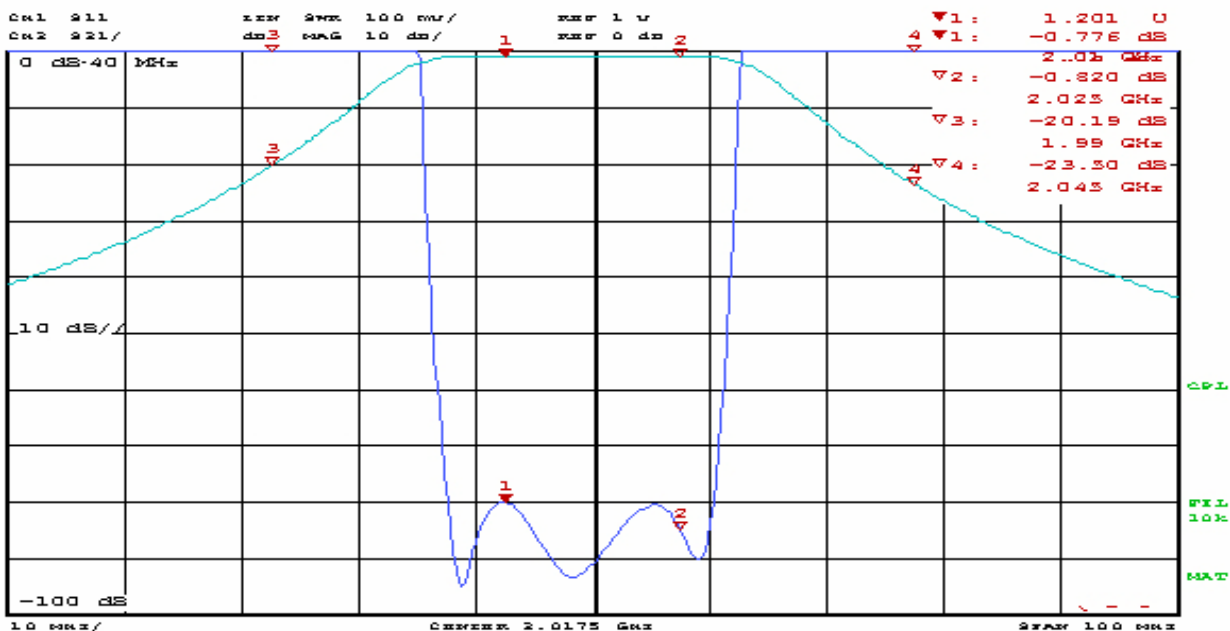


Outline Drawing:



Technical Specifications:

- | | |
|---------------------------|---|
| 1. Operating Frequency: | 2010 to 2025MHz |
| 2. Insertion Loss: | 1.2dB maximum
1.0dB typical |
| 3. Inband Ripple: | 0.3dB p-p maximum |
| 4. Return Loss: | 20dB minimum |
| 5. Outband Rejection: | ≥16dB @ 1962-1990MHz
≥13dB @ 2045-4020MHz
≥41dB @ 1914-1962MHz
≥41dB @ 4020-12750MHz |
| 6. Power Handling: | 10 watts |
| 7. Operating Temperature: | -40 to +80 °C |
| 8. Storage Temperature: | -45 to +85 °C |
| 9. Operating Humidity: | 0 to 90%, relative |
| 10. Connectors: | N-female/SMA-female |



Cavity Band Pass Filter 2010MHz~2025MHz