

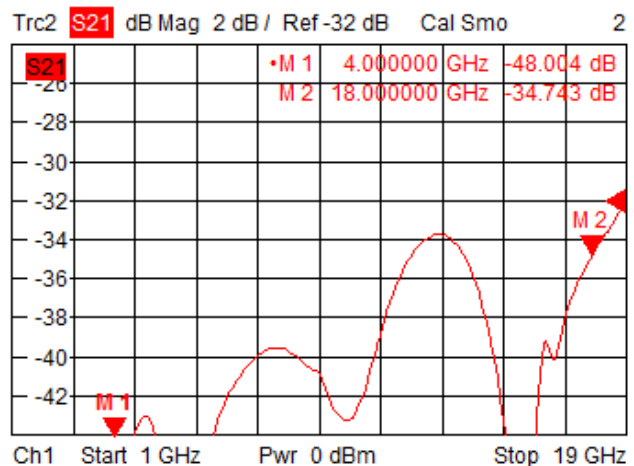
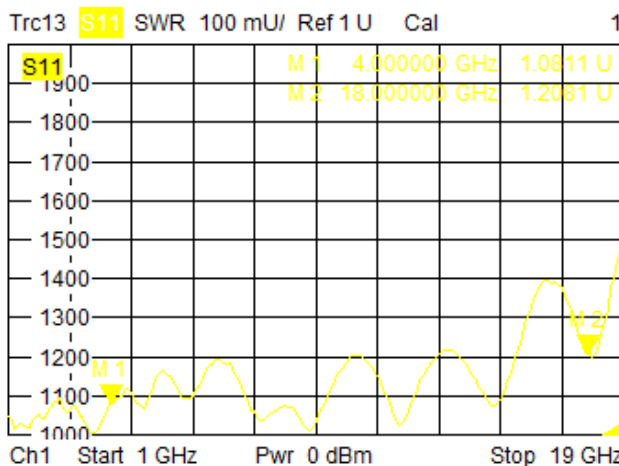


ULTRA WIDE BAND 50W DIRECTIONAL COUPLER 4GHZ-18GMHZ

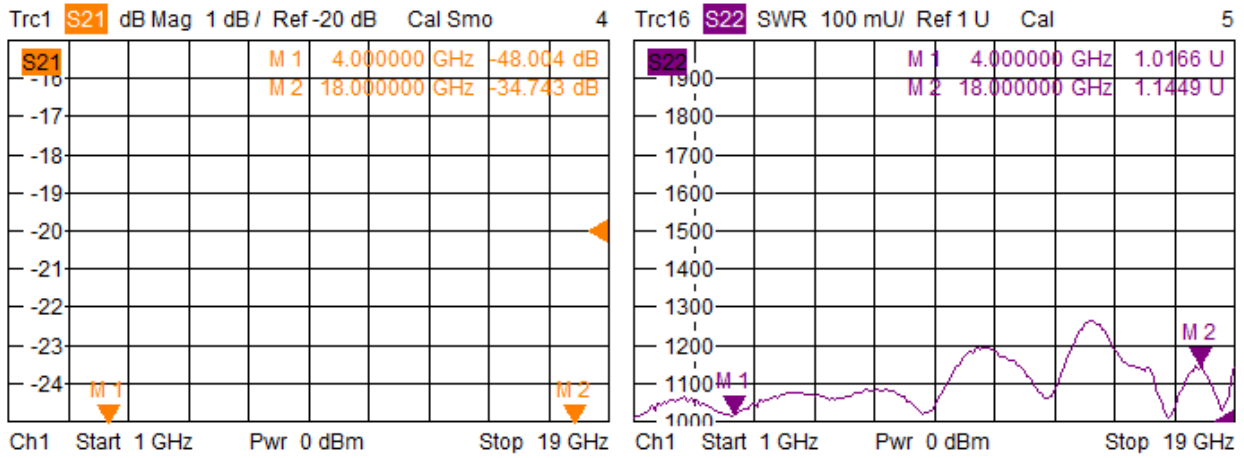
- Ultra wide band performance 4-18GHz
- power operation up to 50W CW
- Compact size and low loss.
- Low passive inter-modulation product.
- Customized unit available.
- Applicable for base station, repeaters of CMDA cellular network



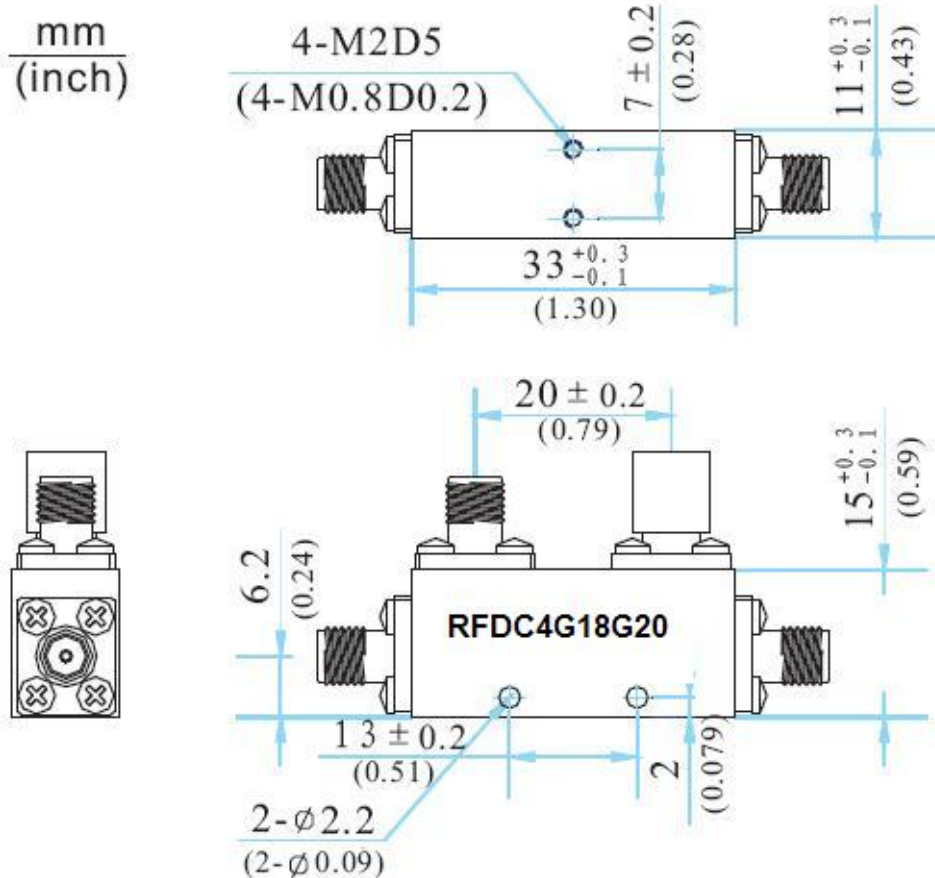
Electrical Specifications			
Frequency	4-18GHz	Power	50W CW
Amplitude Balance	±1.0dB	Insertion Loss / VSWR	0.6dB 1.5 : 1
Directivity	12dB	Coupling	20 ± 1.0dB
Environmental Specifications			
Oper.Temp.	-55°C to 85°C base plate	Storage Temp.	-55°C to 100°C base plate
Altitude	45,000 ft		
Mechanical Specifications			
Humidity	95% relative humidity, 65°C 96Hour	Mechanical shock	30G, 11mSec half sin wave, 3 axis both directions
Vibration:	14.2g RMS (15-2000Hz) functional	Connectors:	SMA-Female Brass, Nickel Plate
	16.2g RMS (15-2000Hz) endurance, 1 hour/axis		Beryllium Copper, Gold Plate PIN



ULTRA WIDE BAND 50W DIRECTIONAL COUPLER 4GHZ-18.0GHZ



DRAWING:



ULTRA WIDE BAND 50W DIRECTIONAL COUPLER 4GHZ-18.0GHZ