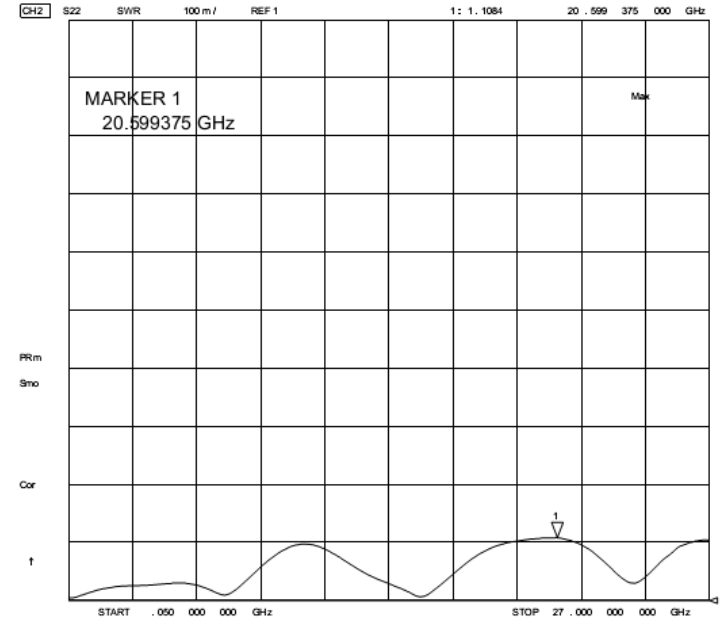
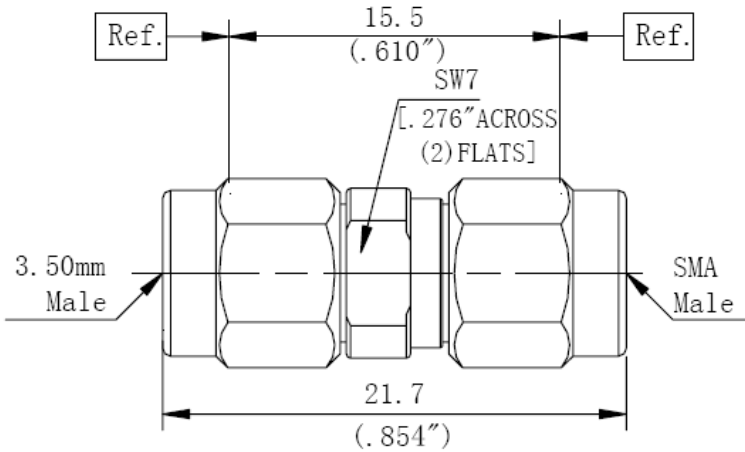


# Coaxial Adapter 3.5mm Male to SMA Male



2.0	Environment specifications	
2.1	Opt. Temp.	-55°C~+165°C
2.2	Storage Temp.	-60°C~+185°C
2.3	Altitude	45000 ft
2.4	Vibration	10g rms (15 degree 2KHz)
2.5	Humidity	100% RH at 35c, 95%RH at 40 °c
2.6	Shock	20G for 11msc

1.0	Mechanical Specifications	
1.1	3,5mm	IEC-60169
1.2	SMA	MIL-STD-348A
1.3	MIL	MIL-G-45204

PN	Frequency (GHz)	Impedance (Ω)	VSWR (max)	Insulate material	Material	Center PIN
RFCAERZMSM	DC-27	50	1.15	PEI&PTFE	Stainless Steel SU303	Brass with Gold plating

PAGE 1 OF 1

DATE JAN 8<sup>th</sup> 2003

PROPRIETARY INFORMATION  
THE INFORMATION CONTAINED IN THIS DOCUMENT IS THE PROPERTY OF RF-LAMBDA EXCEPT AS SPECIFICALLY AUTHORIZED IN WRITING BY RF-LAMBDA. THE HOLDER OF THIS DOCUMENT SHALL KEEP ALL INFORMATION CONTAINED HEREIN CONFIDENTIAL AND SHALL PROTECT SAME IN THE WHOLE OR IN PART FROM DISCLOSURE AND DISSEMINATION OF ALL THIRD PARTIES AND SHALL USE SAME FOR OPERATING AND MAINTENANCE PURPOSES ONLY.

DESIGN  
RFPC

RF-LAMBDA  
RFPC

CAD MODEL REVISION  
02-1

ASSEMBLY REVISION  
VS23

ASSEMBLY NAME  
RFLVRS4

DRAWING NUMBER  
D02-12

www.rflambda.com

RF-LAMBDA

SIZE LT SHEETS 1 OF 1