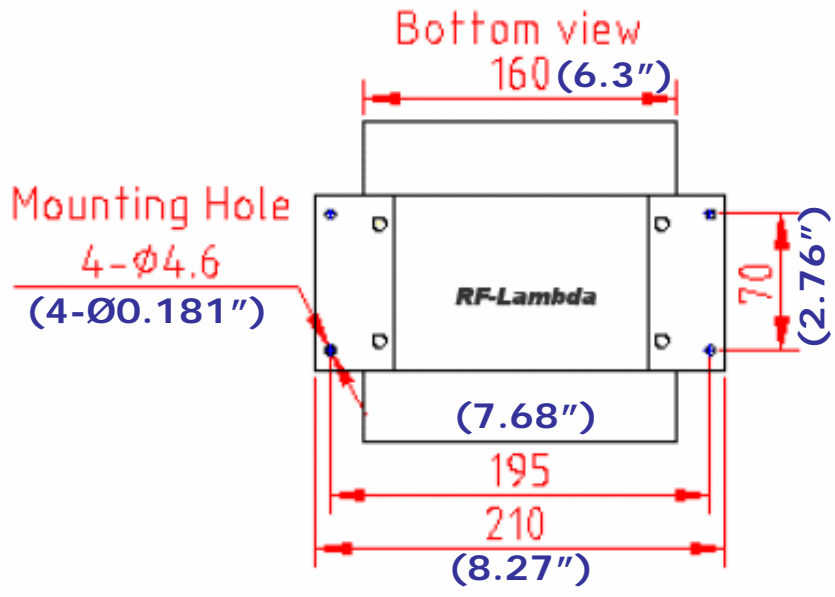
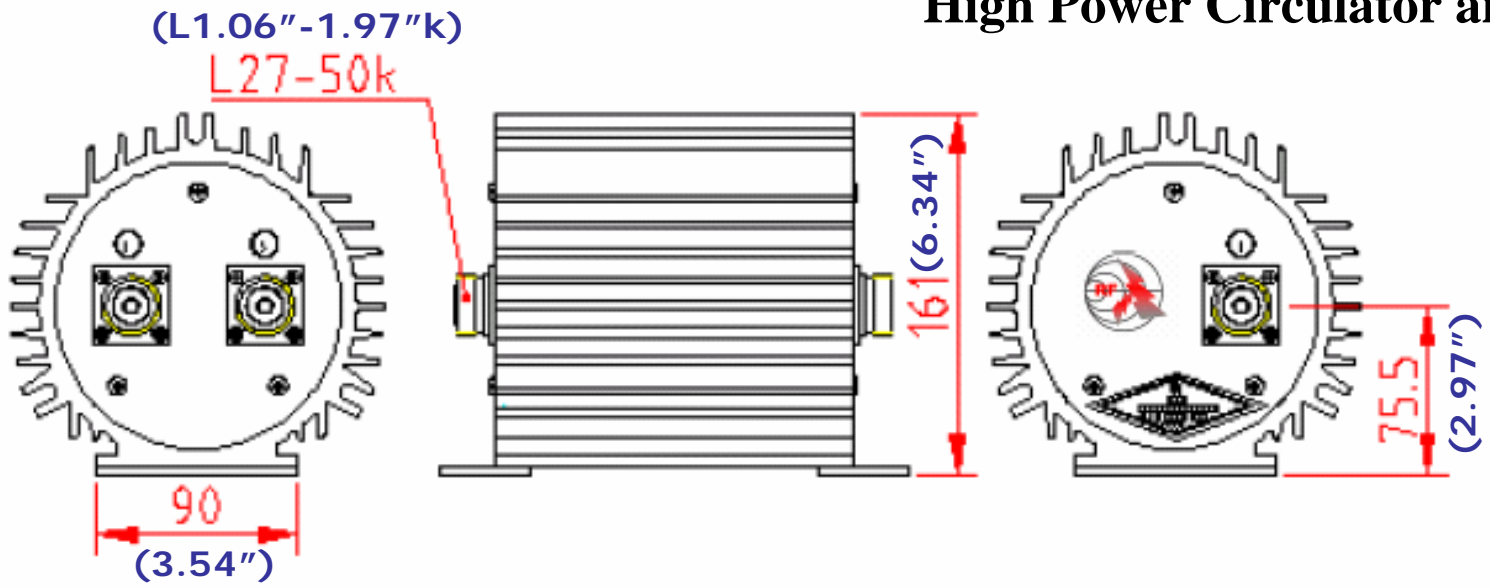



RFLC-HXD-4 Lumped Elements High Power Circulator and Isolator



Electrical Specifications:

Center Frequency Range:	120MHz-250MHz
Functional Bandwidth:	10MHz window
Insertion Loss:	0.6dB
Isolation:	20dB
VSWR:	1.20
Temp. Range:	-10° C~+70° C
Power Handling:	500W (CW)
Connector:	L27, 7/16 or N-Type

PAGE 1 OF 1		DATE	Dec 19 th 2005
<small>PROPRIETARY INFORMATION THE INFORMATION CONTAINED IN THIS DOCUMENT IS THE PROPERTY OF RF-LAMBDA EXCEPT AS SPECIFICALLY AUTHORIZED IN WRITING BY RF-LAMBDA. THE HOLDER OF THIS DOCUMENT SHALL KEEP ALL INFORMATION CONTAINED HEREIN CONFIDENTIAL AND SHALL PROTECT SAME IN THE WHOLE OR IN PART FROM DISCLOSURE AND DISSEMINATION OF ALL THIRD PARTIES AND SHALL USE SAME FOR OPERATING AND MAINTENANCE PURPOSES ONLY</small>		DESIGN	RFPC
		RF-LAMBDA	RFPC
 RFLC-HXD-4 High power circulator	CAD MODEL REVISION	01	
	ASSEMBLY REVISION	VS12	
	ASSEMBLY NAME	RFLVR45	
	DRAWING NUMBER	D05-4	
www.rflambda.com	RF-LAMBDA	SIZE	LT
		SHEETS	1 OF 1