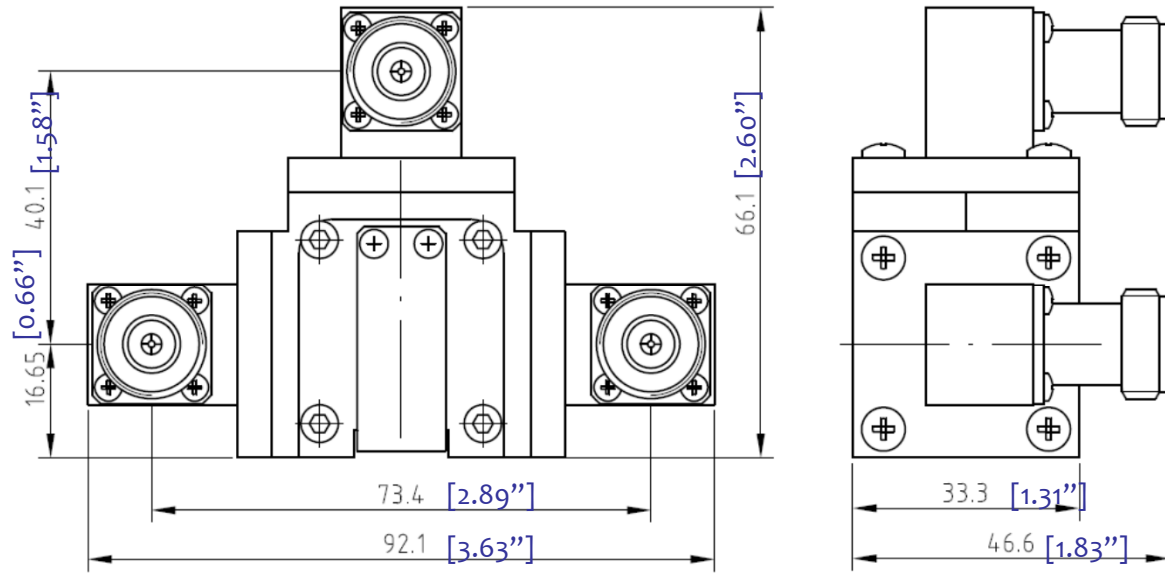



HIGH PEAK POWER CIRCULATOR / ISOLATOR- RFLC-601-7K / RFLI-601-7



1.0 Mechanical Specifications		
1.1	Coaxial Connector	SMA or N Female
1.2	External Body Finish	Body painted with gray/black epoxy enamel

2.0 Environment specifications		
2.1	Operation Temp.	-40°C~+85°C
2.2	Storage Temp.	-50°C~+125°C
2.3	Altitude	45000 ft
2.4	Vibration	10g rms (15 degree 2KHz)
2.5	Humidity	100% RH at 35c, 95%RH at 40 deg c
2.6	Shock	20G for 11msc

3.0 Electrical Specifications		
3.1	Center Frequency	11GHz~18GHz
3.2	Bandwidth	10% (1GHz)
3.3	Insertion Loss	0.8dB
3.4	Isolation	20dB
3.5	Max. VSWR	1.20:1
3.6	Power handle (CW)	200W (CW) / 2KW Peak

PAGE 1 OF 1		DATE	Nov 5 th 2001
<small>PROPRIETARY INFORMATION THE INFORMATION CONTAINED IN THIS DOCUMENT IS THE PROPERTY OF RF-LAMBDA EXCEPT AS SPECIFICALLY AUTHORIZED IN WRITINGS BY RF-LAMBDA. THE HOLDER OF THIS DOCUMENT SHALL KEEP ALL INFORMATION CONTAINED HEREIN CONFIDENTIAL AND SHALL PROTECT SAME IN THE WHOLE OR IN PART FROM DISCLOSURE AND DISSEMINATION OF ALL THIRD PARTIES AND SHALL USE SAME FOR OPERATING AND MAINTENANCE PURPOSES ONLY</small>		DESIGN	RFFPC
		RF-LAMBDA	RFFPC
		CAD MODEL REVISION	19
		ASSEMBLY REVISION	VS52
 RFLI/RFLC-601-7K HIGH PEAK POWER CIRCULATOR ISOLATOR		ASSEMBLY NAME	RFLVR17
		DRAWING NUMBER	D05-1
www.rflambda.com		SIZE	SHEETS
RF-LAMBDA		LT	1 OF 1