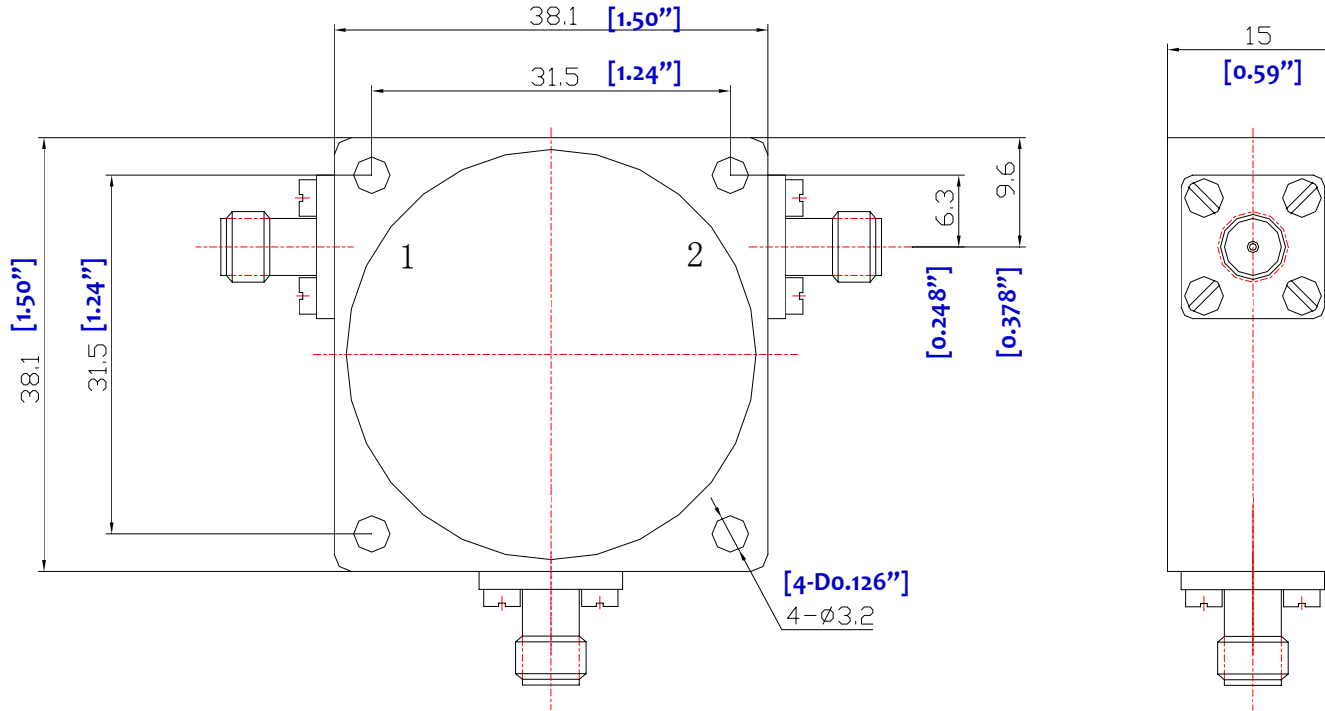



LOW FREQUENCY WIDE BAND CIRCULATOR--- RFLC-101-1



1.0 Mechanical Specifications		
1.1	Coaxial Connector	SMA /N Female
1.2	External Finish	Nickel plating
1.3	Rotation	Clock-wise

2.0 Environment specifications		
2.1	Operation Temp.	-45°C~+85°C
2.2	Storage Temp.	-50°C~+125°C
2.3	Altitude	45000 ft
2.4	Vibration	10g rms (15 degree 2KHz)
2.5	Humidity	100% RH at 35c, 95%RH at 40 deg c
2.6	Shock	20G for 11msc

3.0 Electrical Specifications		
3.1	Center Frequency	400-700MHz
3.2	Bandwidth	50MHz (or 50%)
3.3	Insertion Loss	0.35dB
3.4	Isolation	20dB min
3.5	Max. VSWR	1.20:1
3.6	Power handle (CW)	50W /100W

PAGE 1 OF 1		DATE	Nov 15 th 2008
<small>PROPRIETARY INFORMATION THE INFORMATION CONTAINED IN THIS DOCUMENT IS THE PROPERTY OF RF-LAMBDA EXCEPT AS SPECIFICALLY AUTHORIZED IN WRITINGS BY RF-LAMBDA. THE HOLDER OF THIS DOCUMENT SHALL KEEP ALL INFORMATION CONTAINED HEREIN CONFIDENTIAL AND SHALL PROTECT SAME IN THE WHOLE OR IN PART FROM DISCLOSURE AND DISSEMINATION OF ALL THIRD PARTIES AND SHALL USE SAME FOR OPERATING AND MAINTENANCE PURPOSES ONLY</small>		DESIGN	RFPC
		RF-LAMBDA	RFPC
		CAD MODEL REVISION	19
		ASSEMBLY REVISION	VS52
 RFLC-101-1 CIRCULATOR		ASSEMBLY NAME	RFLVR17
		DRAWING NUMBER	D05-1
www.rflambda.com		SIZE	LT
RF-LAMBDA		SHEETS	1 OF 1