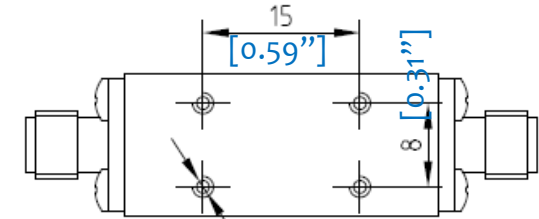
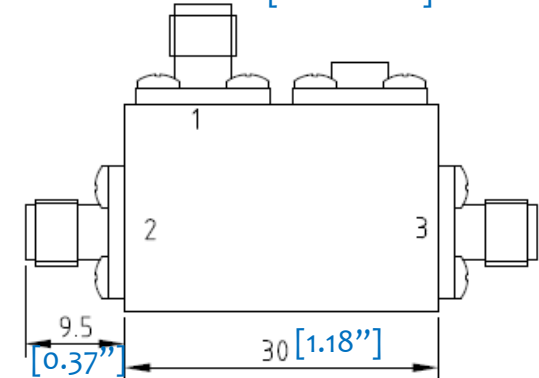
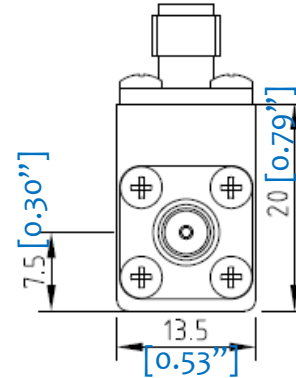


# ULTRA WIDE BAND 9.1-9.6GHz CIRCULATOR RFLC504G91G96



**M2-D4**  
[M2-Do.16"]



1.0	Mechanical Specifications	
1.1	Coaxial Connector	SMA-F or N-F
1.2	External Body Finish	Nickle Plated
1.3	Rotation	Clockwise / Counter-clockwise

2.0	Environment specifications	
2.1	Opt. Temp.	-20°C~+70°C
2.2	Storage Temp.	-40°C~+85°C
2.3	Altitude	45000 ft
2.4	Vibration	10g rms (15 degree 2KHz)
2.5	Humidity	100% RH at 35c, 95%RH at 40 deg c
2.6	Shock	20G for 11msc

PN	Frequency (MHz)	Insertion loss (dB)	Isolation (dB) min	VSWR (max)	Forward Power (CW)	Reverse Power (CW)
RFLC504G91G96	9100-9600	0.4	45	1.25	50	N/A

\* All spec. above in 25C degree only.

PAGE 1 OF 1	DATE JAN 8 <sup>th</sup> 2003
<small>PROPRIETARY INFORMATION THE INFORMATION CONTAINED IN THIS DOCUMENT IS THE PROPERTY OF RF-LAMBDA EXCEPT AS SPECIFICALLY AUTHORIZED IN WRITINGS BY RF-LAMBDA. THE HOLDER OF THIS DOCUMENT SHALL KEEP ALL INFORMATION CONTAINED HEREIN CONFIDENTIAL AND SHALL PROTECT SAME IN THE WHOLE OR IN PART FROM DISCLOSURE AND DISSEMINATION OF ALL THIRD PARTIES AND SHALL USE SAME FOR OPERATING AND MAINTENANCE PURPOSES ONLY</small>	
DESIGN RFLC	CAD MODEL REVISION 02-1
RF-LAMBDA RFLC	ASSEMBLY REVISION VS23
	ASSEMBLY NAME RFLVR54
	DRAWING NUMBER D02-12
www.rflambda.com	SIZE LT SHEETS 1 OF 1
RF-LAMBDA	



**RFLC504G91G96**  
**ULTRA WIDE BAND**  
**CIRCULATOR**