



Ultra Wide Band Coaxial Circulator 500-700GHz



- High power handle capability up to 100W
- Wide band operation
- High isolation within operational band
- Low Insertion loss
- Low temperature coefficient ferrite material offer stable performance over temperature
- Aerospace and military application
- LMDS multi-carrier operation
- High peak to average handle capability
- All specifications can be modified upon request

| Parameter | Min | Type | Max | Units |
|-------------------------|--|------|------|-------|
| Frequency Range | 500-700 | | | MHz |
| Insertion Loss | | 0.9 | | dB |
| Isolation (Note 1) | | 18 | | dB |
| VSWR | | | 1.35 | :1 |
| Forward Power (CW) | | | 100 | W |
| Rotation | Clockwise (Standard) Count Clockwise (upon request) | | | |
| Input /Output Connector | SMA-Female | | | |
| Finishing | Nickel Plated | | | |
| Case Material | Copper | | | |
| Operational Temp. | -40 | | +85 | °C |
| Storage Temp. | -40 | | +85 | °C |
| Altitude | 15000 | | TBD | ft. |
| Weight | 60 | | | g |
| Impedance | 50 | | | Ω |
| Vibration | 10g 15 degree 2KHz | | | RMS |
| Humidity | 100% RH at 35c, 95%RH at 40°C | | | |
| Shock | 20G for 11msc. | | | |

Note 1: Unit has narrow frequency bandwidth can achieve higher isolation & low insertion loss

Bandwidth (5 ~10) % x Center Frequency (Isolation >23dB)

Bandwidth (20~30) % x Center Frequency (Isolation >21dB)

Bandwidth (40~60) % x Center Frequency (Isolation >20dB)

Ask manufacture for detail

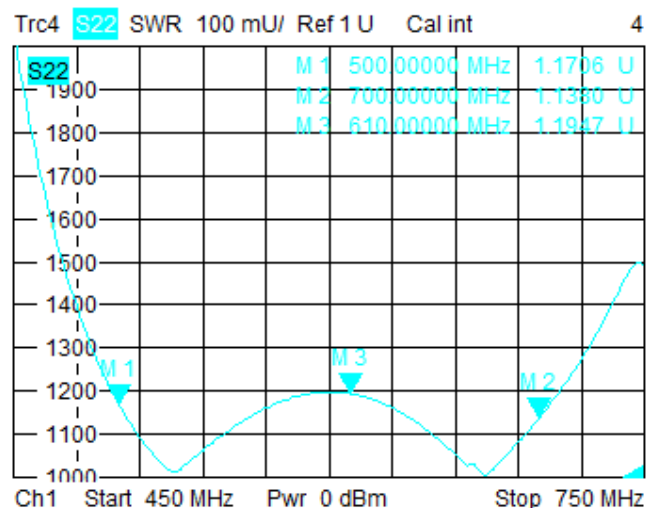
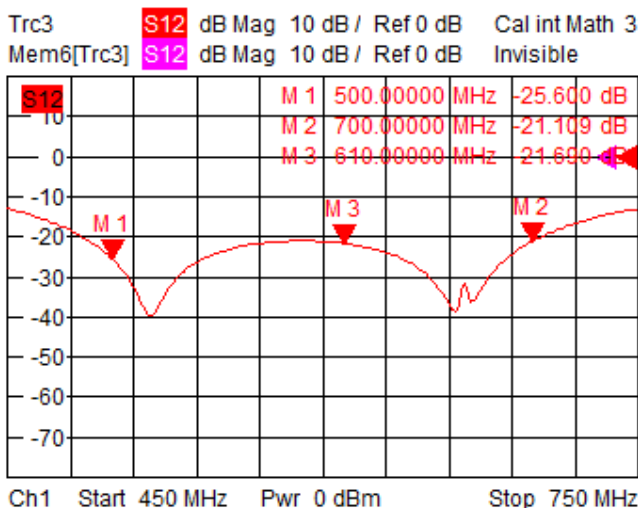
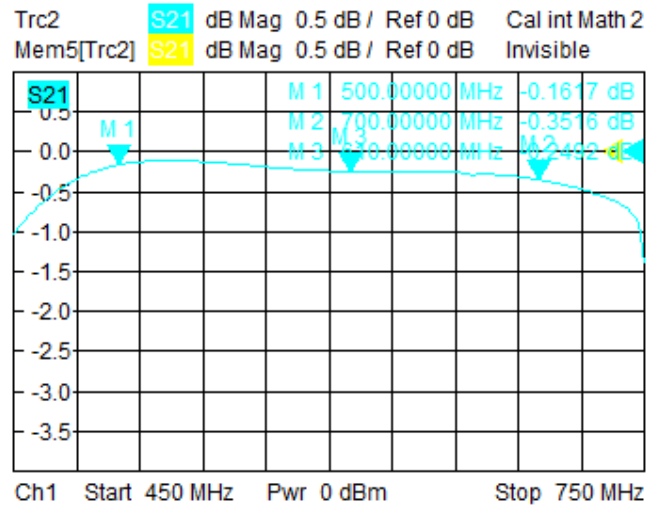
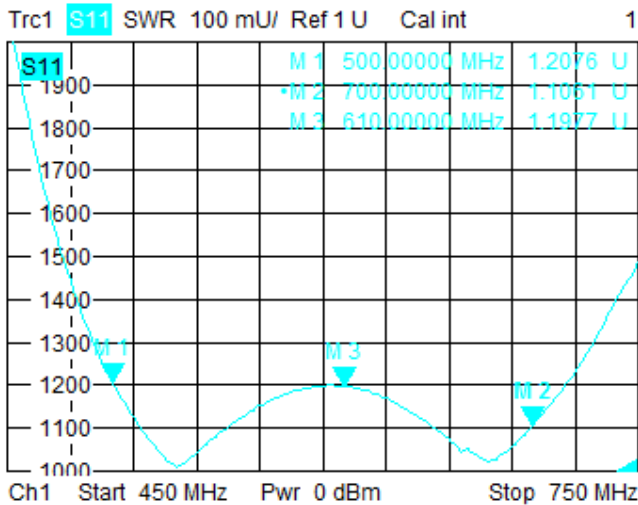
Ultra Wide Band Coaxial Circulator 500-700GHz



Environment specifications

| | |
|------------------------------|---|
| Operational Temperature (C°) | -40 to +85 |
| Storage Temperature (C°) | -40 to +85 |
| Altitude | 30,000 ft. (Epoxy Seal Controlled environment) |
| | 60,000 ft 1.0psi min (Hermetically Seal Un-controlled environment) (Optional) |
| Vibration | 25g rms (15 degree 2KHz) endurance, 1 hour per axis |
| Humidity | 100% RH at 35c, 95%RH at 40 deg c |
| Shock | 20G for 11msc half sin wave,3 axis both directions |

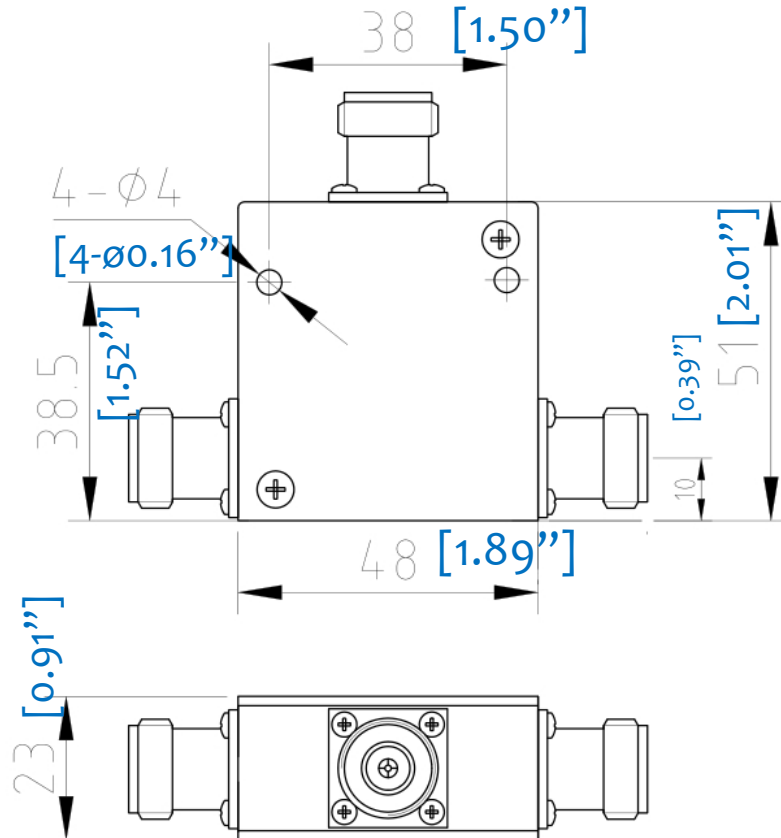
Performance plots :





Outline Drawing:

All Dimensions in mm (inches)



Important Notice

The information contained herein is believed to be reliable. RF-Lambda makes no warranties regarding the information contained herein. RF-Lambda assumes no responsibility or liability whatsoever for any of the information contained herein. RF-Lambda assumes no responsibility or liability whatsoever for the use of the information contained herein. The information contained herein is provided "AS IS, WHERE IS" and with all faults, and the entire risk associated with such information is entirely with the user. All information contained herein is subject to change without notice. Customers should obtain and verify the latest relevant information before placing orders for RF-Lambda products. The information contained herein or any use of such information does not grant, explicitly or implicitly, to any party any patent rights, licenses, or any other intellectual property rights, whether with regard to such information itself or anything described by such information.

RF-Lambda products are not warranted or authorized for use as critical components in medical, life-saving, or life sustaining applications, or other applications where a failure would reasonably be expected to cause severe personal injury or death.