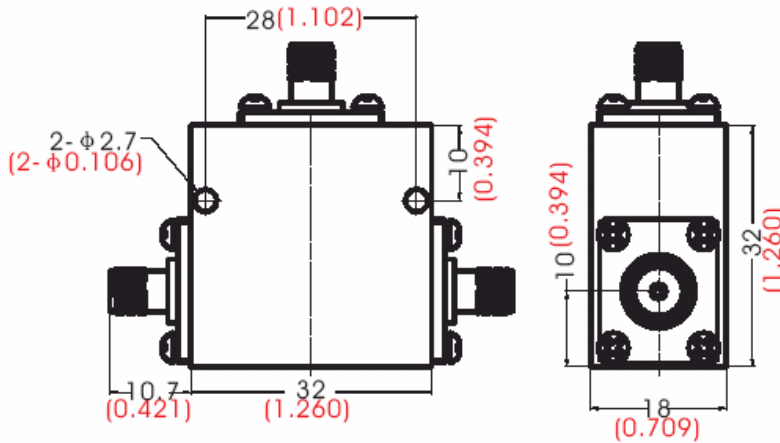


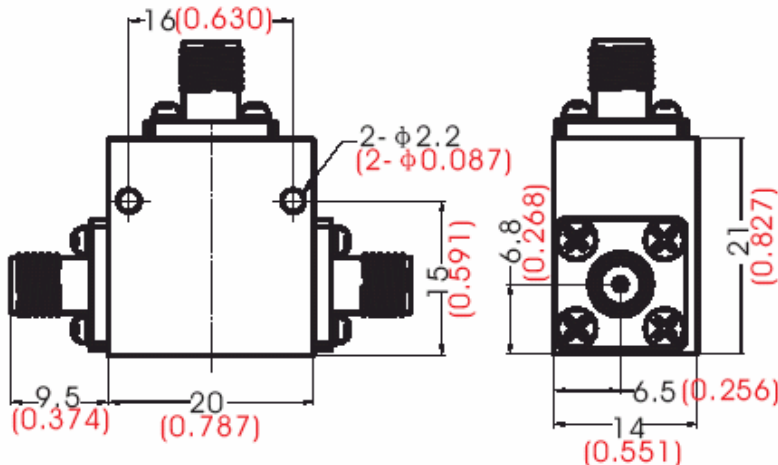


RFLC-301					
Part Number	Frequency (GHz)	Bandwidth (MHz)	Insert. Loss (dB)	Isolation (dB)	VSWR
RFLC-301-1	1.6~2.5	200	0.3	25	1.15
RFLC-301-2	1.8~2.5	400	0.4	21	1.20
RFLC-301-3	2.0~4.0	1000	0.4	19	1.25
RFLC-301-4		Full	0.5	17	1.35
RFLC-301-5		600	0.4	23	1.20



Connector Type: SMA
 Operating Temperature: -40~+70C
 Forward Power: 10/50/100W (CW)

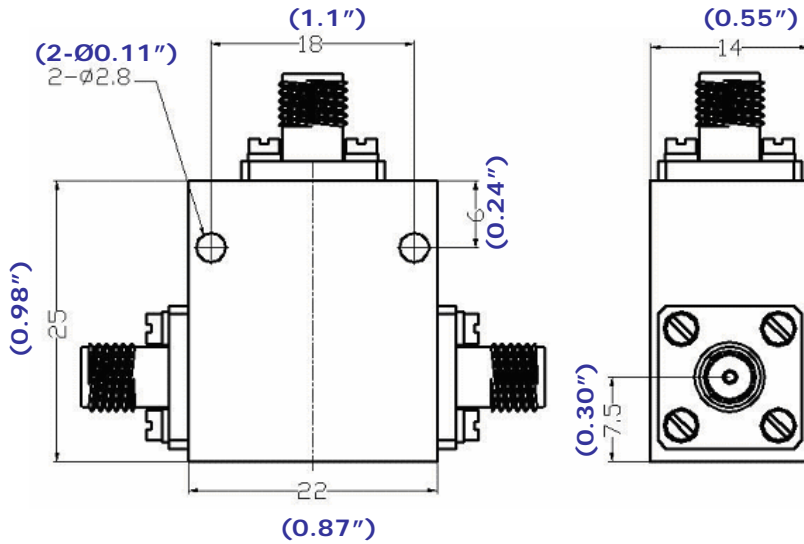
RFLC-303					
Part Number	Frequency (GHz)	Bandwidth (MHz)	Insert. Loss (dB)	Isolation (dB)	VSWR
RFLC-303-1	1.7~2.7	50	0.3	23	1.15
RFLC-303-2		100	0.4	21	1.20
RFLC-303-3		200	0.5	19	1.25



Connector Type: SMA
 Operating Temperature: -55~+85C
 Forward Power: 10W (CW)
 Higher power unit available upon request.

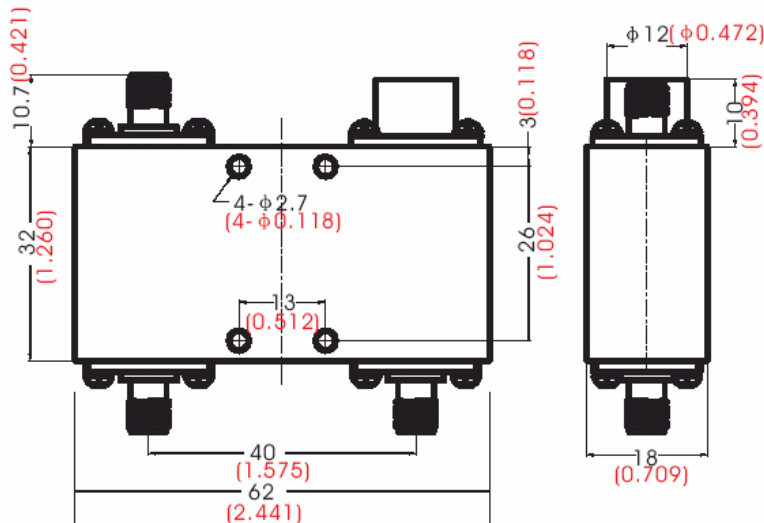


RFLC-305					
Part Number	Frequency (GHz)	Bandwidth (MHz)	Insert. Loss (dB)	Isolation (dB)	VSWR
RFLC-305-1	2~4	200	0.3	23	1.15
RFLC-305-2		400	0.4	21	1.20
RFLC-305-3		400	0.5	18	1.25



Connector Type: SMA
 Operating Temperature: -40~+70C
 Forward Power: 10W (CW)
 Higher power unit available upon request

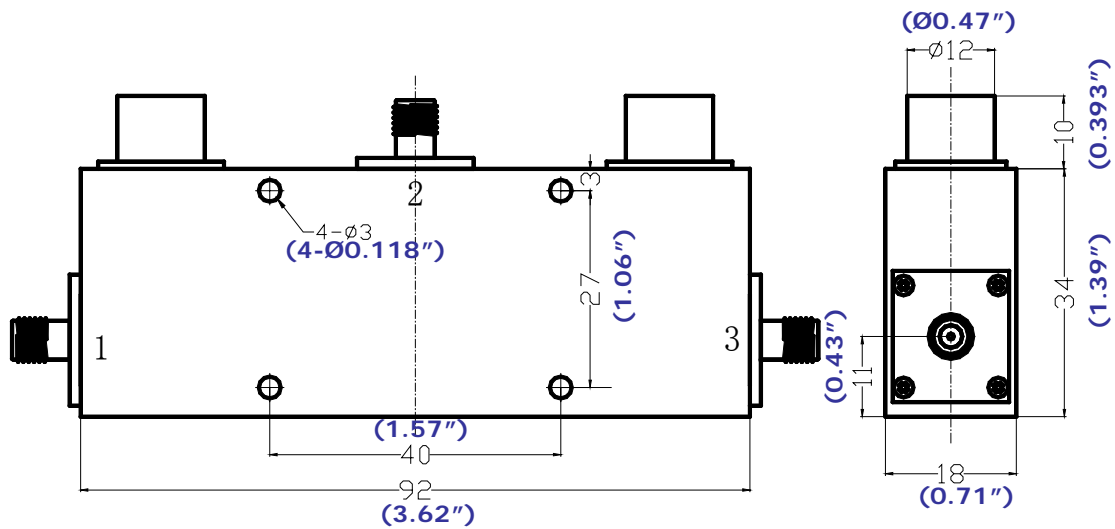
RFLC-312					
Part Number	Frequency (GHz)	Bandwidth (MHz)	Insert. Loss (dB)	Isolation (dB)	VSWR
RFLC-312-1	1.8~3.6	300	0.3/0.5	25/45	1.15
RFLC-312-2		600	0.4/0.7	23/40	1.20



Connector Type: N/SMA
 Operating Temperature: -40~+70C
 Forward Power: 10W (CW)
 Higher power unit available upon request



RFLC-313					
Part Number	Frequency (GHz)	Bandwidth (MHz)	Insert. Loss (dB)	Isolation (dB)	VSWR
RFLC-313-1	1.8~3.6	300	0.5	50	1.15
RFLC-313-2		600	0.7	45	1.20
RFLC-313-3		1000	0.8	40	1.25



Connector Type: N/SMA
 Operating Temperature: -25~+70C
 Forward Power: 10W (CW)
 Higher power unit available upon request