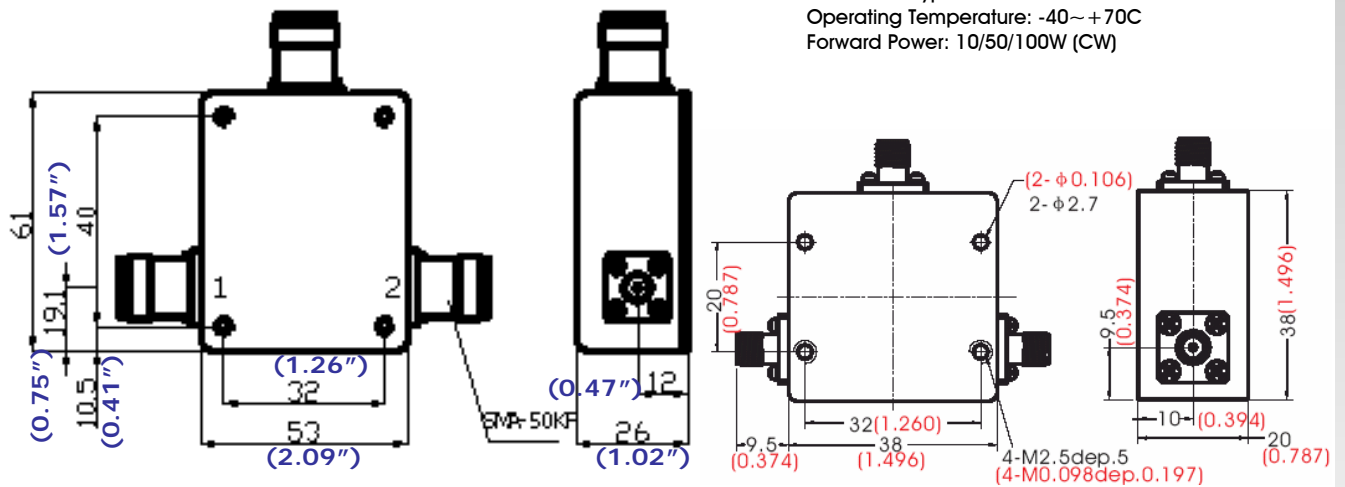
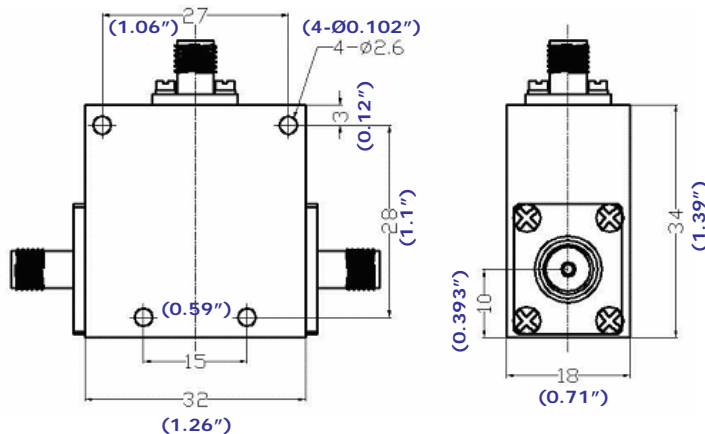




RFLC-101					
Part Number	Frequency (GHz)	Bandwidth (MHz)	Insert. Loss (dB)	Isolation (dB)	VSWR
RFLC-101-1	0.4~0.7	50	0.4	21	1.20
RFLC-101-2	0.4~0.7	100	0.5	19	1.25
RFLC-101-3	0.2~1.0	50%	1.0	18	1.35
RFLC-101-4	0.3~0.4	20	0.4	21	1.20



RFLC-201					
Part Number	Frequency (GHz)	Bandwidth (MHz)	Insert. Loss (dB)	Isolation (dB)	VSWR
RFLC-201-1	0.7~0.9	50	0.3	21	1.20
RFLC-201-2	0.8~1.4	100	0.4	20	1.20
RFLC-201-3	0.8~1.4	250	0.5	18	1.25

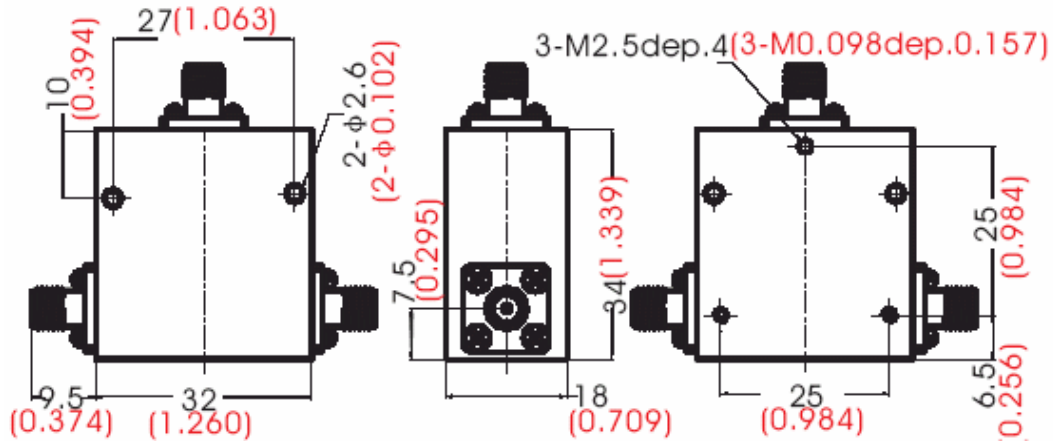


Connector Type: N/SMA  
 Operating Temperature: -40~+70C  
 Forward Power: 10/50/100W (CW)



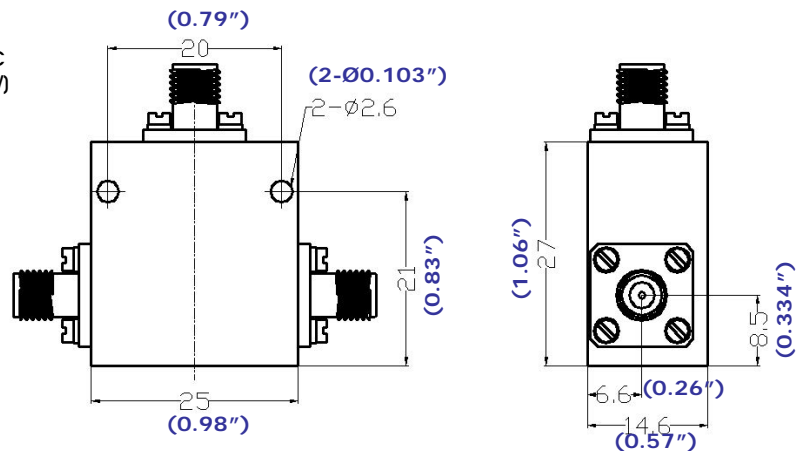
RFLC-201A					
Part Number	Frequency (GHz)	Bandwidth (MHz)	Insert. Loss (dB)	Isolation (dB)	VSWR
RFLC-201A-1	0.8~1.4	50	0.3	23	1.15
RFLC-201A-2	0.8~1.4	100	0.4	20	1.20
RFLC-201A-3	0.8~1.4	250	0.5	18	1.25

Connector Type: SMA  
 Operating Temperature: -40~+70C  
 Forward Power: 10/50/100W (CW)



RFLC-202					
Part Number	Frequency (GHz)	Bandwidth (MHz)	Insert. Loss (dB)	Isolation (dB)	VSWR
RFLC-202-1	0.8~1.7	50	0.3	23	1.15
RFLC-202-2	0.8~1.7	100	0.4	21	1.20
RFLC-202-3	0.8~1.7	250	0.5	19	1.25

Case Type: SMA  
 Operating Temperature: -55~+85C  
 Forward Power: 10/30/50/100W (CW)





RFLC-210					
Part Number	Frequency (GHz)	Bandwidth (MHz)	Insert. Loss (dB)	Isolation (dB)	VSWR
RFLC-210-1	0.8~1.7	50	0.3	23	1.15
RFLC-210-2	0.8~1.7	100	0.4	20	1.20
RFLC-210-3	0.8~1.7	250	0.5	18	1.25

Connector Type: SMA  
Operating Temperature: -40~+70C  
Forward Power: 10/30/50W (CW)

