



HIGH POWER CAVITY DUPLEXER

RX: 1764-1840MHZ

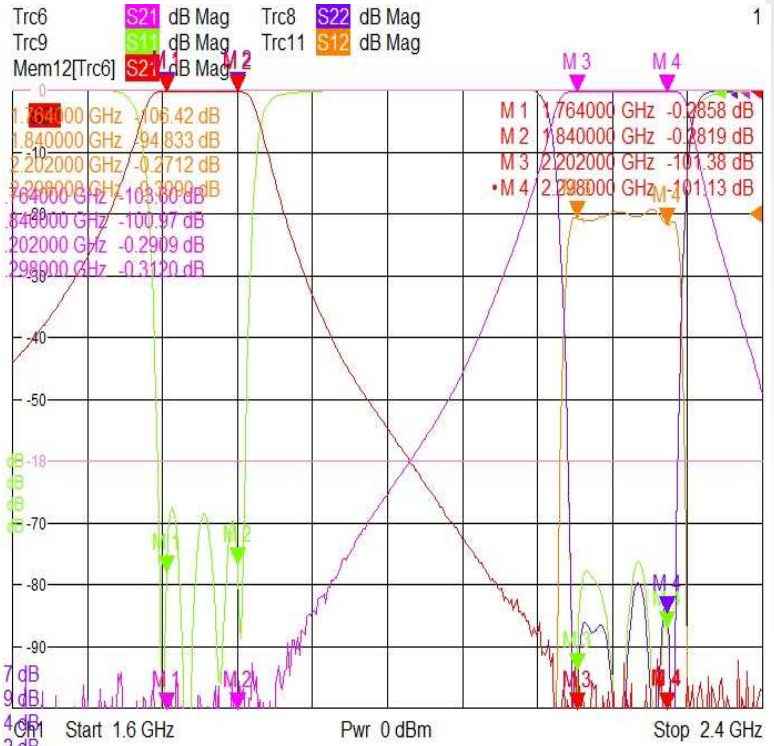
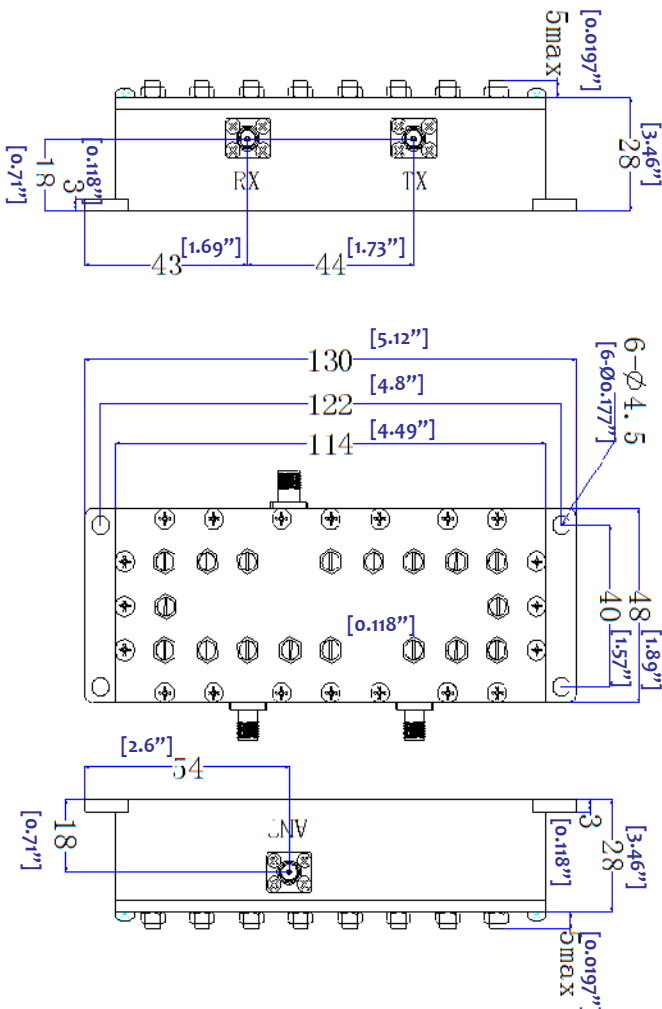
TX: 2202-2298MHZ



- Compact size and high power handle
- Very high rejection outdoor unit
- Compatible with ITU Standard
- N-Female and SMA-F connector available upon request
- Storage temperature -25~+70C
- Operational Temperature: -25~+70C
- Operating Humidity: 0~90% relative

Electrical Specification

Frequency Range:	RX: 1764-1840MHz
	TX: 2202-2298MHz
Insertion Loss:	RX: 0.5dB max
	TX: 0.5dB max
Pass band Ripple:	0.4dB maximum
Power Handle:	50W
Channel Isolation :	80dB
Return loss:	18dB



HIGH POWER CAVITY DUPLEXER : 1764-1840MHZ & 2202-2298MHZ