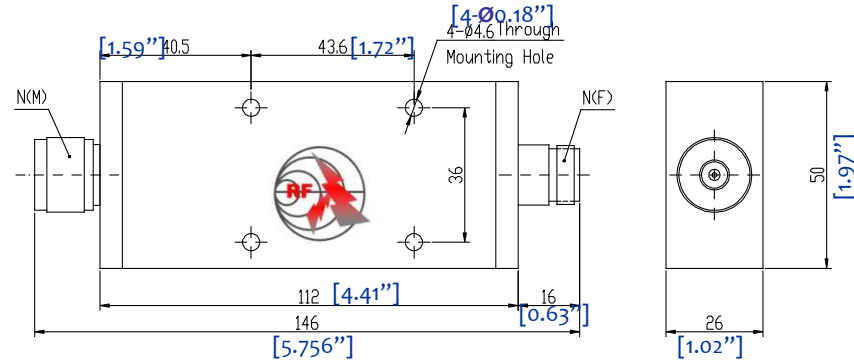
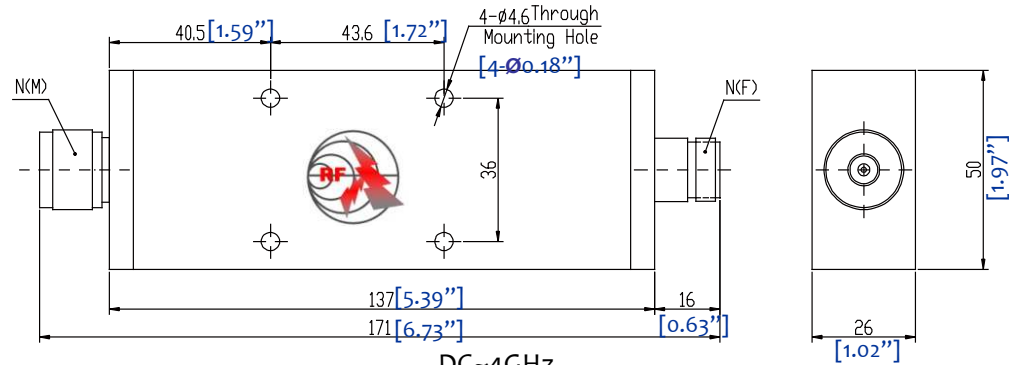


300W COAXIAL FIXED EMBEDDED ATTENUATOR

--- RFSB300GXX



DC~2GHz



DC~4GHz

1.0	Mechanical Specifications	
1.1	Connector	N,SMA
1.2	Size	DC-2: 146 × 50 × 26mm 5.75" × 1.97" × 1.02" DC-4: 171 × 50 × 26mm 6.73" × 1.97" × 1.02"
1.3	Weight	DC-2: 0.35kg DC-4: 0.45kg
1.4	External Finish	Body painted with gray/black epoxy enamel

2.0	Environment specifications	
2.1	Operation Temp.	-40°C~+85°C
2.2	Storage Temp.	-55°C~+125°C
2.3	Altitude	42000 ft
2.4	Vibration	10g rms (15 degree 2KHz)
2.5	Humidity	100% RH at 35c, 95%RH at 40 deg c
2.6	Shock	20G for 11msc
2.7	Cooling	FAN required for long time operation

3.0	Electrical Specifications							
PN	Frequency (GHz)	Attenuation Accuracy (dB)						VSWR (max.)
		3	6	10	20	30	40	
RFSB300G02	DC-2	±0.7	±0.7	±0.7	±0.7	±0.7	±0.7	1.25
RFSB300G04	DC-4	±1.0	±1.0	±1.0	±1.0	±1.0	±1.0	1.40

PAGE 1 OF 1	DATE JUN 12 th 2009
<small>PROPRIETARY INFORMATION THE INFORMATION CONTAINED IN THIS DOCUMENT IS THE PROPERTY OF RF-LAMBDA EXCEPT AS SPECIFICALLY AUTHORIZED IN WRITING BY RF-LAMBDA. THE HOLDER OF THIS DOCUMENT SHALL KEEP ALL INFORMATION CONTAINED HEREIN CONFIDENTIAL AND SHALL PROTECT SAME IN THE WHOLE OR IN PART FROM DISCLOSURE AND DISSEMINATION OF ALL THIRD PARTIES AND SHALL USE SAME FOR OPERATING AND MAINTENANCE PURPOSES ONLY</small>	
DESIGN RFPC	
RF-LAMBDA RFPC	
CAD MODEL REVISION 10	
ASSEMBLY REVISION VS52	
ASSEMBLY NAME RFLVR07	
DRAWING NUMBER D05-A	
RFSB300GXX HIGH POWER ATTENUATOR	
www.rflambda.com	
RF-LAMBDA	SIZE LT SHEETS 1 OF 1