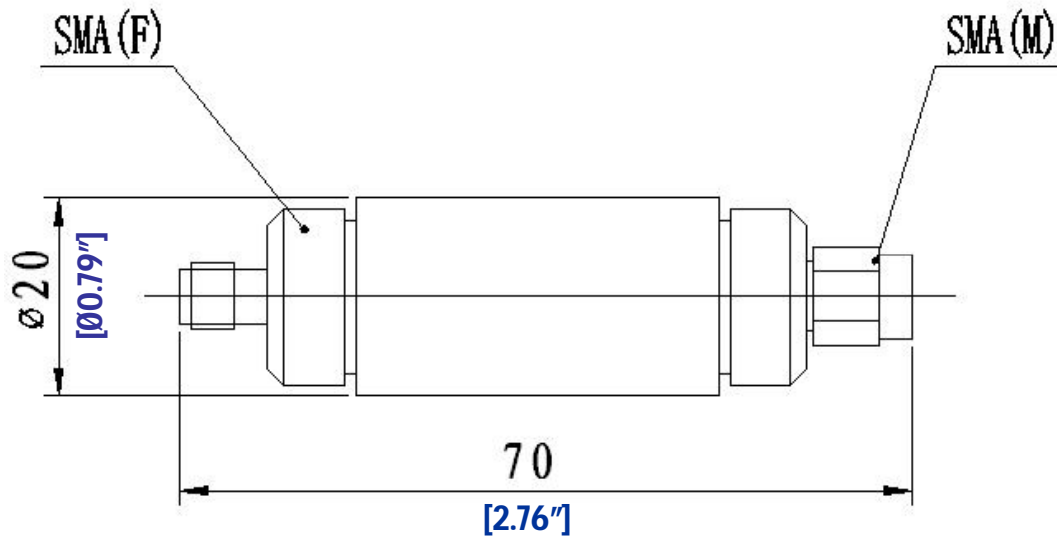


5W COAXIAL FIXED ATTENUATOR


--- **RFS5GXA**



1.0 Mechanical Specifications		
1.1	Coaxial Connector	N,SMA,TNC,BNC,F,N-CC11,L16
1.2	Size	Ø20 × 70mm Ø0.79" X 2.76"
1.3	Weight	65g
1.4	External Body Finish	Body painted with gray/black epoxy enamel

2.0 Environment specifications		
2.1	Operation Temp.	-40°C~+85°C
2.2	Storage Temp.	-55°C~+125°C
2.3	Altitude	42000 ft
2.4	Vibration	10g rms (15 degree 2KHz)
2.5	Humidity	100% RH at 35c, 95%RH at 40 deg c
2.6	Shock	20G for 11msc
2.7	Cooling	FAN required for long time operation

3.0 Electrical Specifications									
PN	Frequency (GHz)	VSWR (max.)	Attenuation Accuracy (dB)					Power (CW)	Peak Power (KW)
			1-9	10	20	30	40		
RFS5G1A	DC-1GHz	1.10	±0.4	±0.4	±0.4	±0.5	±0.5	5	0.5
RFS5G2A	DC-2GHz	1.15	±0.4	±0.4	±0.4	±0.5	±0.5	5	0.5
RFS5G3A	DC-3GHz	1.20	±0.4	±0.4	±0.4	±0.5	/	5	0.5

PAGE 1 OF 1		DATE	MAY 6 th 2000
<small>PROPRIETARY INFORMATION THE INFORMATION CONTAINED IN THIS DOCUMENT IS THE PROPERTY OF RF-LAMBDA EXCEPT AS SPECIFICALLY AUTHORIZED IN WRITINGS BY RF-LAMBDA. THE HOLDER OF THIS DOCUMENT SHALL KEEP ALL INFORMATION CONTAINED HEREIN CONFIDENTIAL AND SHALL PROTECT SAME IN THE WHOLE OR IN PART FROM DISCLOSURE AND DISSEMINATION OF ALL THIRD PARTIES AND SHALL USE SAME FOR OPERATING AND MAINTENANCE PURPOSES ONLY</small>		DESIGN	RFPC
		RF-LAMBDA	RFPC
 RFS5GXA COAXIAL FIXED ATTENUATOR	CAD MODEL REVISION	10	
	ASSEMBLY REVISION	VSS2	
	ASSEMBLY NAME	RFLVR07	
www.rflambda.com	DRAWING NUMBER	D05-A	
RF-LAMBDA	SIZE LT	SHEETS 1 OF 1	